



**S T U**<sup>®</sup>

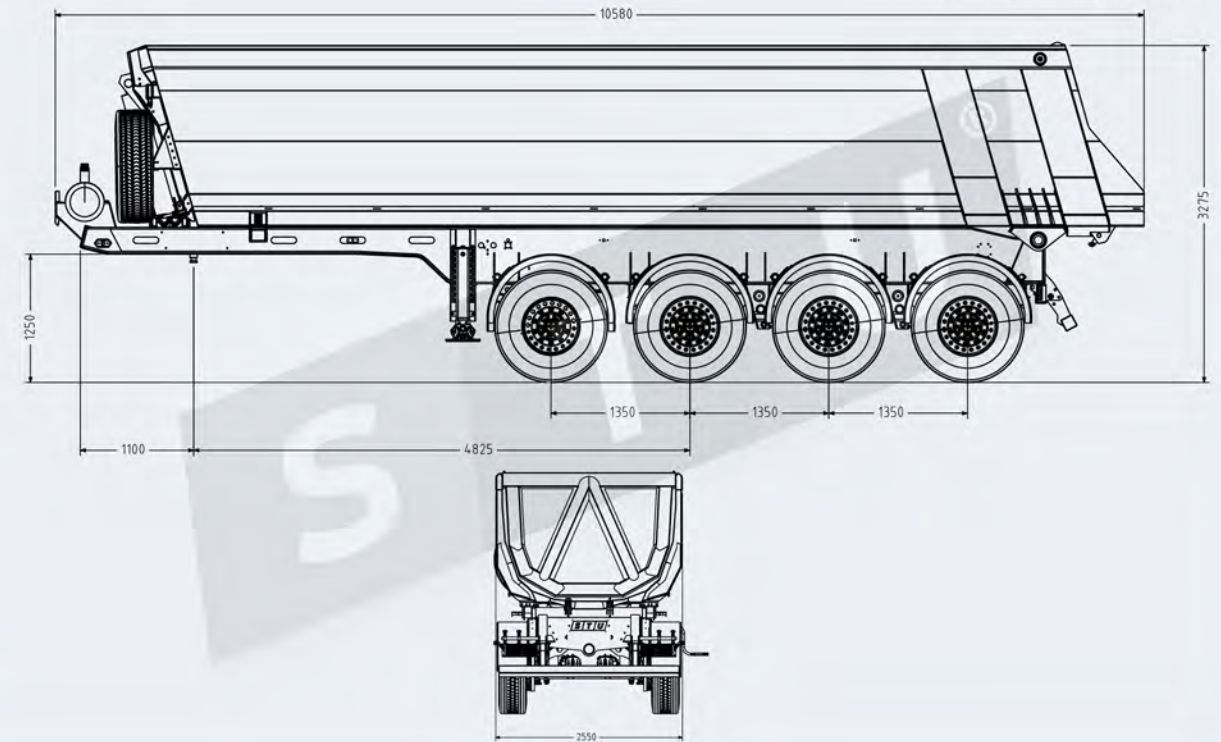
[www.stutrailer.com](http://www.stutrailer.com)

**TIPPER  
TRAILER**

# 28 - 33 M<sup>3</sup> POOL TYPE TIPPER TRAILER



## TECHNICAL DRAWING



## SPECIFICATIONS

**Chassis and Body** : 28-33 M3 Tipper box is produced from SSAB Brand HARDOX Floor will be 4 mm and side walls will be 3 mm or 5mm/4mm

**Hydraulic** : H TYPE 250 bar telescopic piston (minimum 40° - 42° tipping angle).

**Axles** : 3 or 4 Axles TRAX BRAND, 12 Ton capacity with air spring suspensions with first axle automatic lifting

**Suspensions** : All axles supplied with air suspension or mechanic leaf spring suspension

**Brake System** : 2S-2M Knorr Bremse or Wabco brand EBS or ABS braking system

**Electrical system** : DASTERI Brand LED 2x7 pin sockets- 24V, Standard rear stop lamps, side marker lamps, brake safety warning lamps and signal lights. Side Position Led Zone Lamps, 2 tail & stop combined lamps (red), 2 turn signal combined lamps (orange), 1 license lamp (white)

**Tires** : 8 Pieces 385/65 R 22,5 Starmaxx, Pirelli, Goodyear or Bridgestone

**Rims** : 8 Pieces 22.5" Jantsa or Jantas Brand

**King Pin** : DIN 74080 standards 2" king pin detachable from below made with 8 bolt type

**Landing Gear** : Telescopic, parallel working, double speed with wide shoes static 50 tons, dynamic 25 tons capacity.

### Painting:

**First Step** : Sand Blasting all surface,

**First Layer** : Barrier (%80 Zinc-Reach) Coating Double Times - C5 (ISO 12944-2)

**Second Layer** : Epoxy Coating

**Third Layer** : Premium Acrylic Paint

**Fourth Layer** : 2K Super Clear Coating for Protection and Shine (95-110 GU) 60 Degree

### Accessories and options:

6 x Plastic fenders, Hot deep Galvanized Front canopy, Plastic Mudguards, 1xSpare Wheel Carrier, Aluminium Side Bicycle Protection, Manual or Electrical Tarpaulin,

### WARRANTY

- Parts used for 1 year (Manufacturer warranty. Except for accident-usage errors)
- 1 year manufacturer (excluding, accident-usage errors)

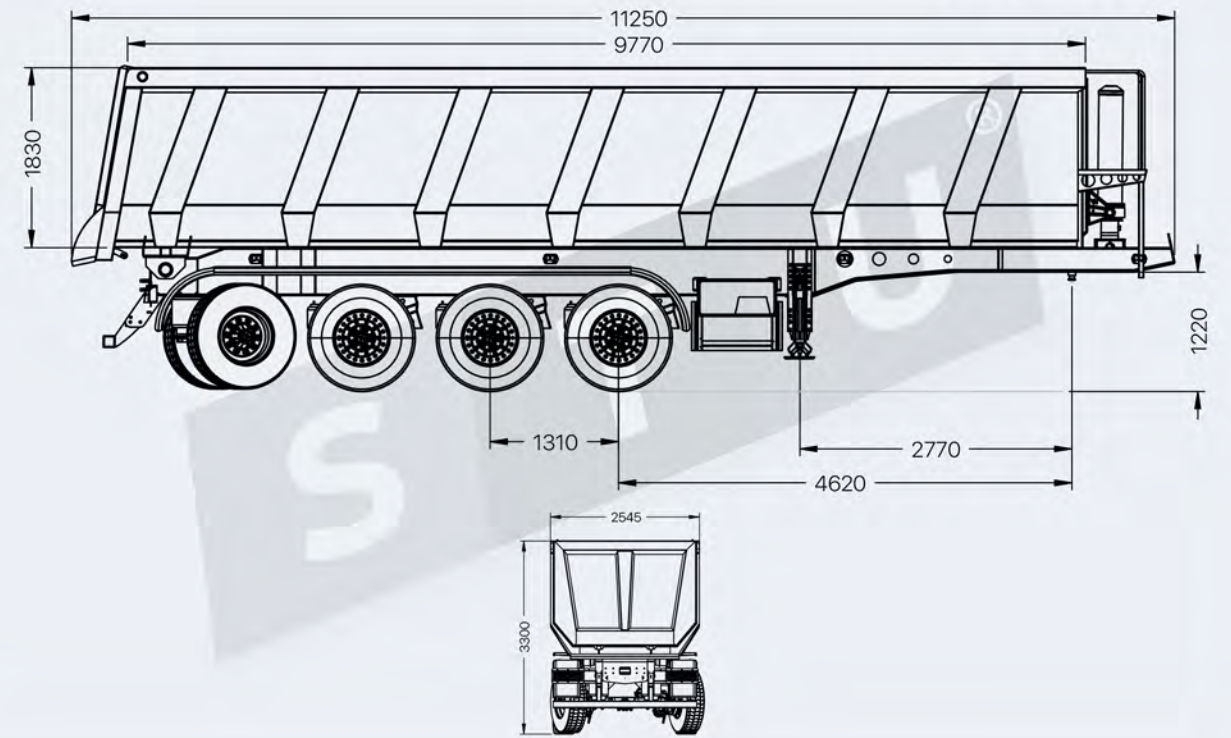
## DETAIL PICTURES



# 40 M<sup>3</sup> ROCK TYPE TIPPER TRAILER



## TECHNICAL DRAWING



## SPECIFICATIONS

**Chassis and Body :** 40 M3 Tipper box is produced from SSAB Brand HARDOX Floor will be 6 mm and side walls will be 8mm

**Hydraulic :** H TYPE 250 bar telescopic piston (minimum 40° - 42° tipping angle).

**Axles :** 3 or 4 Axles TRAX BRAND, 12 Ton capacity with air spring suspensions with first axle automatic lifting

**Suspensions :** All axles supplied with air suspension or mechanic leaf spring suspension

**Brake System :** 2S-2M Knorr Bremse or Wabco brand EBS or ABS braking system

**Electrical system :** DASTERI Brand LED 2x7 pin sockets- 24V, Standard rear stop lamps, side marker lamps, brake safety warning lamps and signal lights. Side Position Led Zone Lamps, 2 tail & stop combined lamps (red), 2 turn signal combined lamps (orange), 1 license lamp (white)

**Tires :** 8 Pieces 385/65 R 22,5 Starmaxx, Pirelli, Goodyear or Bridgestone

**Rims :** 8 Pieces 22.5" Jantsa or Jantas Brand

**King Pin :** DIN 74080 standards 2" king pin detachable from below made with 8 bolt type

**Landing Gear :** Telescopic, parallel working, double speed with wide shoes static 50 tons, dynamic 25 tons capacity.

### Painting :

**First Step :** Sand Blasting all surface,

**First Layer :** Barrier (%80 Zinc-Reach) Coating Double Times - C5 (ISO 12944-2)

**Second Layer :** Epoxy Coating

**Third Layer :** Premium Acrylic Paint

**Fourth Layer :** 2K Super Clear Coating for Protection and Shine (95-110 GU) 60 Degree

### Accessories and options :

6 x Plastic fenders, Hot deep Galvanized Front canopy, Plastic Mudguards, 1xSpare Wheel Carrier, Aluminium Side Bicycle Protection, Manual or Electrical Tarpaulin,

### WARRANTY

- Parts used for 1 year (Manufacturer warranty. Except for accident-usage errors)
- 1 year manufacturer (excluding, accident-usage errors)

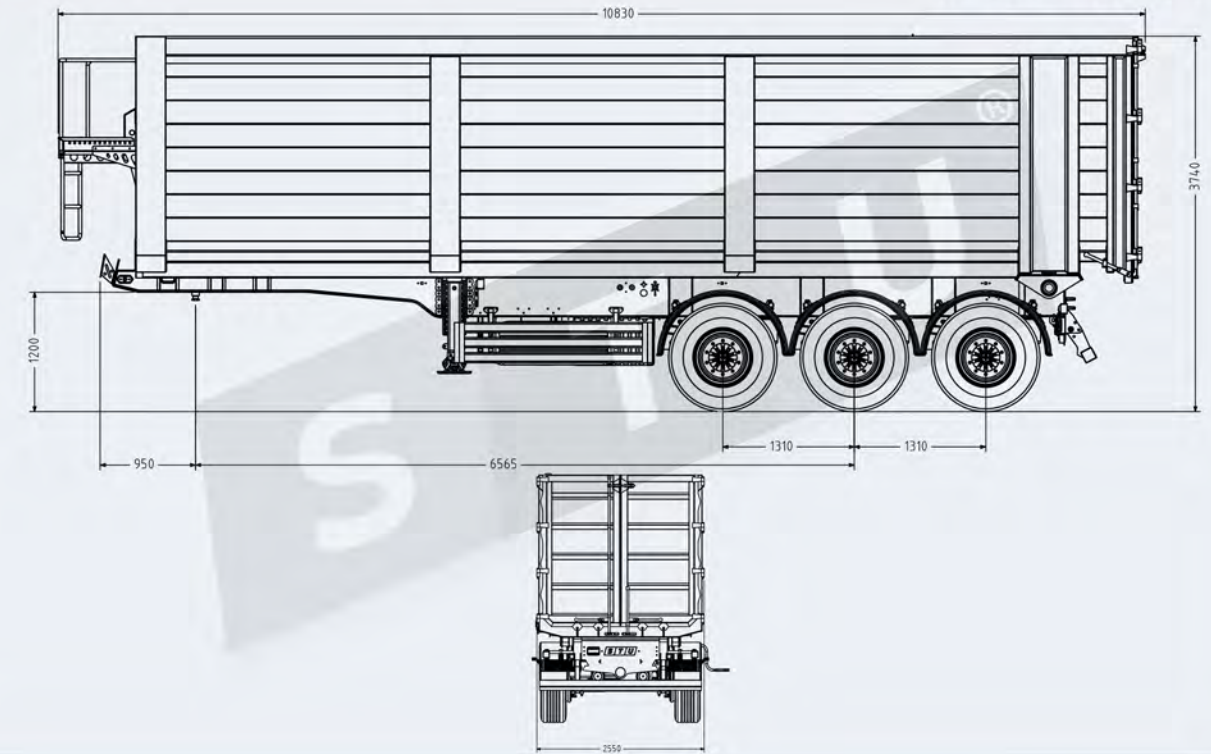
## DETAIL PICTURES



# 50 M<sup>3</sup> SCRAP TYPE TIPPER TRAILER



## TECHNICAL DRAWING



## SPECIFICATIONS

**Chassis and Body :** 50 - 71 M3 Tipper box is produced from SSAB Brand HARDOX Floor will be 4 mm and side walls will be 3 mm or 5mm/4mm

**Rear Door Opening :** Swinging both sides (50% - 50%). A horizontal locking bar fitted under each door with handles extending to the rear corner pillars.

**Hydraulic :** H TYPE 250 bar telescopic piston (minimum 40° - 42° tipping angle).

**Axles :** 3 or 4 Trax Brand axles , 12 Ton capacity with air spring suspensions with first axle automatic lifting

**Suspensions :** All axles supplied with air suspension with pillows.

**Brake System :** 2S-2M Knorr Bremse or Wabco brand EBS braking system

**Electrical system :** DASTERI Brand LED 2x7 pin sockets- 24V, Standard rear stop lamps, side marker lamps, brake safety warning lamps and signal lights. Side Position Led Zone Lamps, 2 tail & stop combined lamps (red), 2 turn signal combined lamps (orange), 1 license lamp (white)

**Tires :** 6 Pieces 385/65 R 22,5 Starmaxx, Pirelli, Goodyear or Bridgestone

**Rims :** 6 Pieces 22.5" Jantasa or Jantas Brand

**King Pin :** DIN 74080 standards 2" king pin detachable from below made with 8 bolt type

**Landing Gear :** Telescopic, parallel working, double speed jointed with wide shoes static 50 tons, dynamic 25 tons capacity.

### Painting:

**First Step :** Sand Blasting all surface,

**First Layer :** Barrier (%80 Zinc-Reach) Coating Double Times - C5 (ISO 12944-2)

**Second Layer :** Epoxy Coating

**Third Layer :** Premium Acrylic Paint

**Fourth Layer :** 2K Super Clear Coating for Protection and Shine (95-110 GU) 60 Degree

### Accessories:

6 x Plastic fenders, Hot deep Galvanized Front canopy, Plastic Mudguards, 1x Spare Wheel Carrier, Aluminium Side Bicycle Protection, Manual or Electrical Tarpaulin,

### WARRANTY

- Parts used for 1 year (Manufacturer warranty. Except for accident-usage errors)
- 1 year manufacturer (excluding, accident-usage errors)

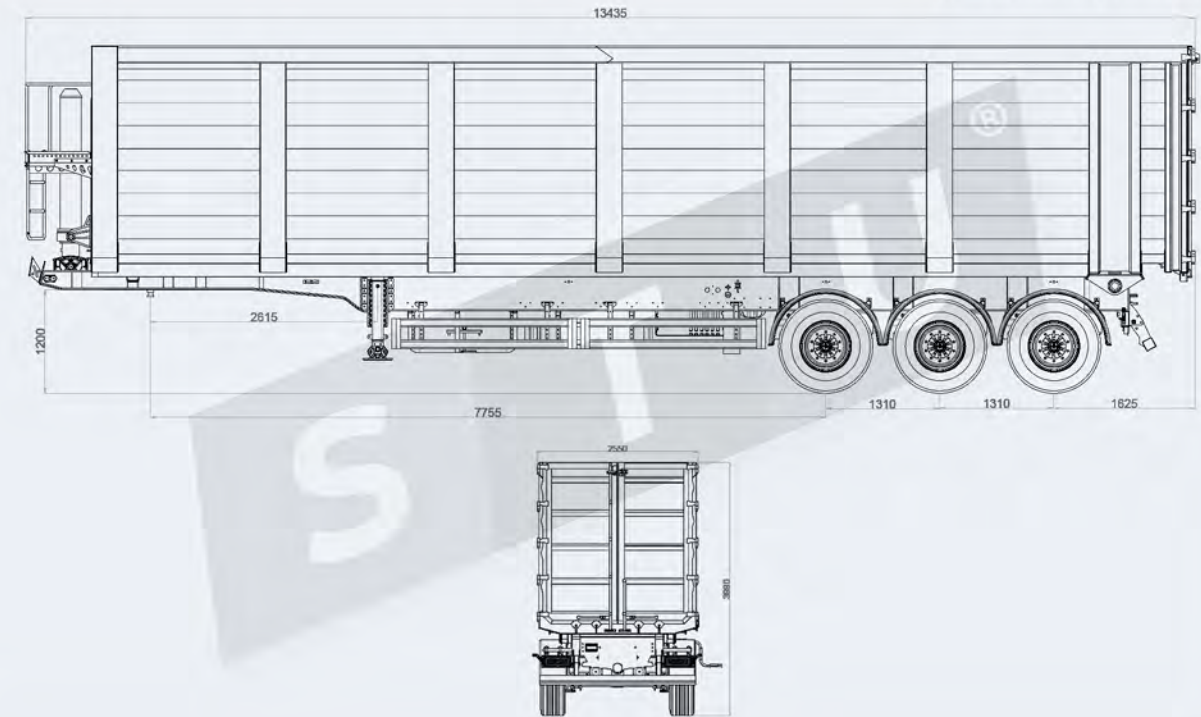
## DETAIL PICTURES



# 71 M<sup>3</sup> SCRAP TYPE TIPPER TRAILER



## TECHNICAL DRAWING



## SPECIFICATIONS

**Chassis and Body :** 71 M3 Tipper box is produced from SSAB Brand HARDOX Floor will be 4 mm and side walls will be 3 mm or 5mm/4mm

**Rear Door Opening :** Swinging both sides (50% – 50%). A horizontal locking bar fitted under each door with handles extending to the rear corner pillars. (optional with remote control)

**Hydraulic :** H TYPE 250 bar telescopic piston (minimum 40° - 42° tipping angle).

**Axles :** 3 Trax Brand axles , 12 Ton capacity with air spring suspensions with first axle automatic lifting

**Suspensions :** All axles supplied with air suspension with pillows.

**Brake System :** 2S-2M Knorr Bremse or Wabco brand EBS braking system

**Electrical system :** DASTERI Brand LED 2x7 pin sockets- 24V, Standard rear stop lamps, side marker lamps, brake safety warning lamps and signal lights. Side Position Led Zone Lamps, 2 tail & stop combined lamps (red), 2 turn signal combined lamps (orange), 1 license lamp (white)

**Tires :** 6 Pieces 385/65 R 22,5 Starmaxx, Pirelli, Goodyear or Bridgestone

**Rims :** 6 Pieces 22.5" Jantsa or Jantas Brand

**King Pin :** DIN 74080 standards 2" king pin detachable from below made with 8 bolt type

**Landing Gear :** Telescopic, parallel working, double speed jointed with wide shoes static 50 tons, dynamic 25 tons capacity.

### Painting:

**First Step :** Sand Blasting all surface,

**First Layer :** Barrier (%80 Zinc-Reach) Coating Double Times - C5 (ISO 12944-2)

**Second Layer :** Epoxy Coating

**Third Layer :** Premium Acrylic Paint

**Fourth Layer :** 2K Super Clear Coating for Protection and Shine (95-110 GU) 60 Degree

### Accessories:

6 x Plastic fenders, Hot deep Galvanized Front canopy, Plastic Mudguards, 1x Spare Wheel Carrier, Aluminium Side Bicycle Protection, Manual or Electrical Tarpaulin,

### WARRANTY

- Parts used for 1 year (Manufacturer warranty. Except for accident-usage errors)
- 1 year manufacturer (excluding, accident-usage errors)

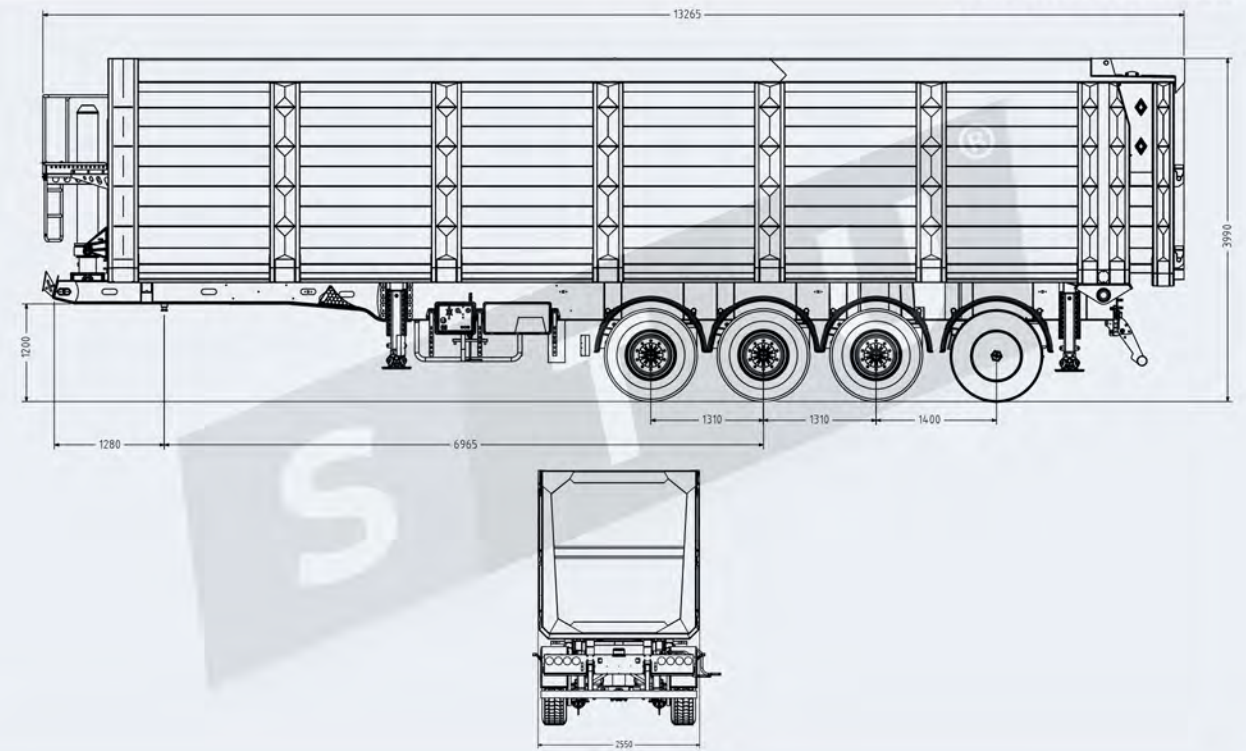
## DETAIL PICTURES



# 71 M<sup>3</sup> SCRAP TYPE 4 AXLE TIPPER TRAILER



## TECHNICAL DRAWING



## SPECIFICATIONS

**Chassis and Body** : 71 M3 Tipper box is produced from SSAB Brand HARDOX Floor will be 4 mm and side walls will be 3 mm or 5mm/4mm

**Rear Door Opening** : Swinging both sides (50% – 50%). A horizontal locking bar fitted under each door with handles extending to the rear corner pillars. (optional with remote control)

**Hydraulic** : H TYPE 250 bar telescopic piston (minimum 40°- 42° tipping angle).

**Axles** : 4 Trax Brand axles , 12 Ton capacity with air spring suspensions with first axle automatic lifting

**Suspensions** : All axles supplied with air suspension with pillows.

**Brake System** : 2S-2M Knorr Bremse or Wabco brand EBS braking system

**Electrical system** : DASTERI Brand LED 2x7 pin sockets- 24V, Standard rear stop lamps, side marker lamps, brake safety warning lamps and signal lights. Side Position Led Zone Lamps, 2 tail & stop combined lamps (red), 2 turn signal combined lamps (orange), 1 license lamp (white)

**Tires** : 8 Pieces 385/65 R 22,5 Starmaxx, Pirelli, Goodyear or Bridgestone

**Rims** : 8 Pieces 22.5" Jantsa or Jantas Brand

**King Pin** : DIN 74080 standards 2" king pin detachable from below made with 8 bolt type

**Landing Gear** : Telescopic, parallel working, double speed jointed with wide shoes static 50 tons, dynamic 25 tons capacity.

### Painting:

**First Step** : Sand Blasting all surface,

**First Layer** : Barrier (%80 Zinc-Reach) Coating Double Times - C5 (ISO 12944-2)

**Second Layer** : Epoxy Coating

**Third Layer** : Premium Acrylic Paint

**Fourth Layer** : 2K Super Clear Coating for Protection and Shine (95-110 GU) 60 Degree

### Accessories:

6 x Plastic fenders, Hot deep Galvanized Front canopy, Plastic Mudguards, 1x Spare Wheel Carrier, Aluminium Side Bicycle Protection, Manual or Electrical Tarpaulin,

### WARRANTY

- Parts used for 1 year (Manufacturer warranty. Except for accident-usage errors)
- 1 year manufacturer (excluding, accident-usage errors)

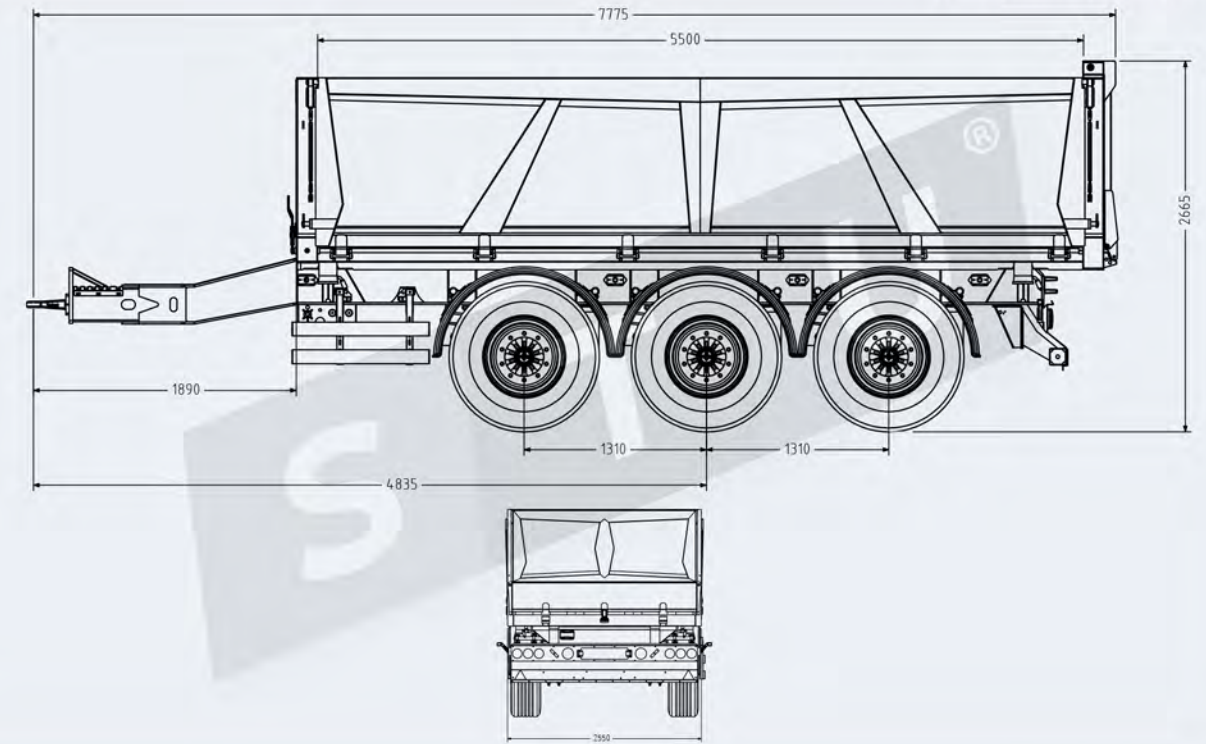
## DETAIL PICTURES



# 18M<sup>3</sup> - 3 WAYS TIPPING DRAWBAR TRAILER



## TECHNICAL DRAWING



## SPECIFICATIONS

**Chassis and Body :** The chassis designed in accordance with the international transportation standards and prepared as having "I" section with high resistance to allow to obtain the highest efficiency under all road and weather conditions, is manufactured with automatic tig welding machines from MC700 High Quality Sheet plates with box 6 mm / 8 mm hardox steel.

**Hydraulic :** H TYPE 250 bar telescopic piston (minimum 40° - 42° tipping angle) with left, right and rear side

**Axles:** 3x12 tonnes capacity Disc Axle, 6 pcs Air balloons

**Suspensions:** It is supplied with air suspension 6 pieces Z shears, 6 pieces bellows and 6 pieces shock absorber.

**Brake System :** 2S-2M Knorr or Wabco brand EBS braking system

**Brake Chambers :** 1 Axles with T 30/30 emergency brake chamber, 2 Axle 24/30 Service Brake Chamber

**Electrical system :** Dasteri LED 2x7 pin sockets- 24V, lights accord to standard in rear stop lamps, side marker lamps, brake safety warning lamps and signal light fitted at the rear. Side Position Led Zone Lamps, 2 tail & stop combined lamps (red), 2 turn signal combined lamps (orange), 1 license lamp (white)

**Tires :** 6 Pieces 385/65 R 22,5

**Rims :** 6 Pieces 22.5" Jantasa or Jantas Brand

**King Pin :** DIN 74080 standards 2" king pin detachable from below made with 8 bolt type.

**Landing Gear :** Landing Gears Front Jack feet are telescopic, parallel working, double speed jointed with wide shoes static 50 tons, dynamic 25 tons capacity.

**Painting:**

**First Step :** Sand Blasting all surface,

**First Layer :** Barrier (%80 Zinc-Reach) Coating Double Times - C5 (ISO 12944-2)

**Second Layer :** Epoxy Coating

**Third Layer :** Premium Acrylic Paint

**Fourth Layer :** 2K Super Clear Coating for Protection and Shine (95-110 GU) 60 Degree

**ACCESORIES :** Multi-Piece Plastic Fenders That Covers Trailing Axle Tires, Control Panel (Mob, Air Clock, Manometer For Air) 1 x Plastic Toolbox, 2x Anti-slip Mudguard on back axles, 2x20ft or 1x40 ft Container Locks

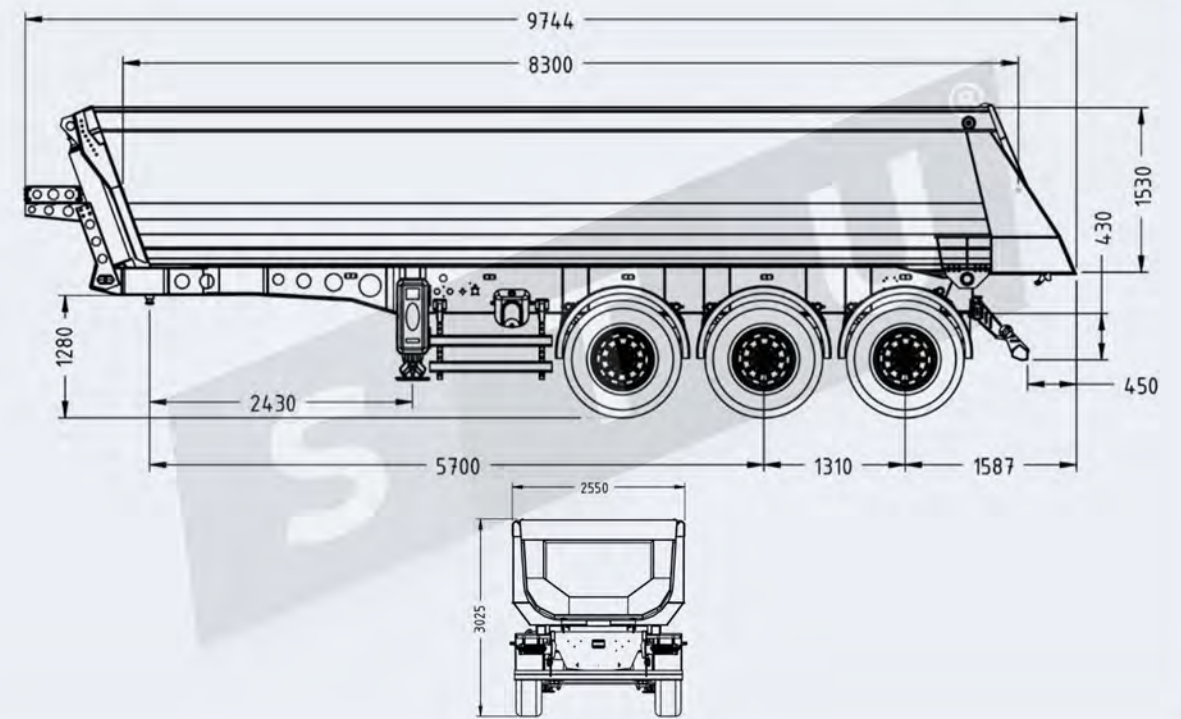
## DETAIL PICTURES



# 24 - 28 M<sup>3</sup> U TYPE / HALF TYPE TIPPER TRAILER



## TECHNICAL DRAWING



## SPECIFICATIONS

**Chassis and Body :** 24-28 M3 Tipper box is produced from SSAB Brand HARDOX Floor will be 4 mm and side walls will be 3 mm or 5mm/4mm

**Hydraulic :** H TYPE 250 bar telescopic piston (minimum 40° - 42° tipping angle).

**Axles :** 3 Axles TRAX BRAND, 12 Ton capacity with air spring suspensions with first axle automatic lifting

**Suspensions :** All axles supplied with air suspension or mechanic leaf spring suspension

**Brake System :** 2S-2M Knorr Bremse or Wabco brand EBS or ABS braking system

**Electrical system :** DASTERI Brand LED 2x7 pin sockets- 24V, Standard rear stop lamps, side marker lamps, brake safety warning lamps and signal lights. Side Position Led Zone Lamps, 2 tail & stop combined lamps (red), 2 turn signal combined lamps (orange), 1 license lamp (white)

**Tires :** 6 Pieces 385/65 R 22,5 Starmaxx, Pirelli, Goodyear or Bridgestone

**Rims :** 6 Pieces 22.5" Jantsa or Jantas Brand

**King Pin :** DIN 74080 standards 2" king pin detachable from below made with 8 bolt type

**Landing Gear :** Telescopic, parallel working, double speed with wide shoes static 50 tons, dynamic 25 tons capacity.

### Painting:

**First Step :** Sand Blasting all surface,

**First Layer :** Barrier (%80 Zinc-Reach) Coating Double Times - C5 (ISO 12944-2)

**Second Layer :** Epoxy Coating

**Third Layer :** Premium Acrylic Paint

**Fourth Layer :** 2K Super Clear Coating for Protection and Shine (95-110 GU) 60 Degree

### Accessories and options:

6 x Plastic fenders, Hot deep Galvanized Front canopy, Plastic Mudguards, 1x Spare Wheel Carrier, Aluminium Side Bicycle Protection, Manual or Electrical Tarpaulin,

### WARRANTY

- Parts used for 1 year (Manufacturer warranty. Except for accident-usage errors)
- 1 year manufacturer (excluding, accident-usage errors)

## DETAIL PICTURES

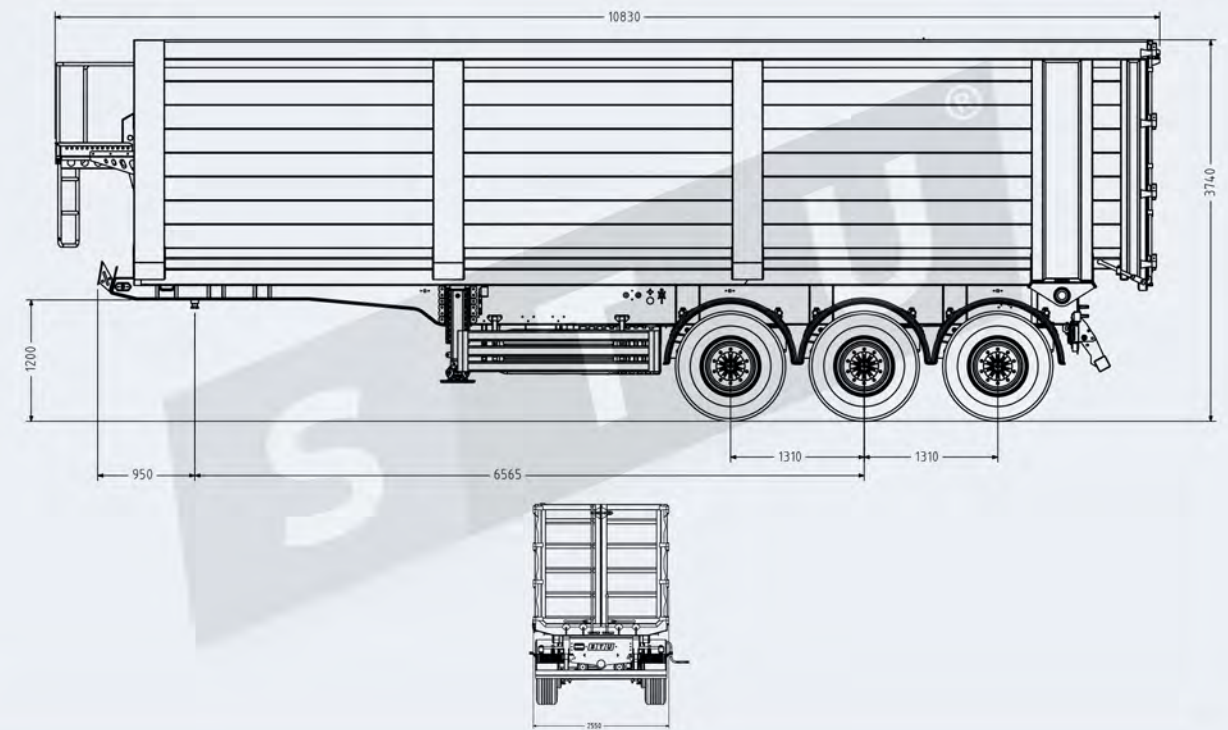




# 55 M<sup>3</sup> GRAIN TIPPER TRAILER



## TECHNICAL DRAWING



## SPECIFICATIONS

**Chassis and Body :** Between 50 - 60 M3 Volume Box, the chassis designed in accordance with the international transportation standards and prepared as having "I" section with high resistance to allow to obtain the highest efficiency under all road and weather conditions, is manufactured with automatic tig welding machines from S355J2N High Quality Sheet plates.

**Axles :** 3x12 tonnes capacity Disc Axle, 6 pcs Air balloons  
**Suspensions :** It is supplied with air suspension 6 pieces Z shears, 6 pieces bellows and 6 pieces shock absorber.

**Brake System :** 2S-2M Knorr Bremse or Wabco brand EBS or ABS braking system  
**Hydraulic :** H TYPE 250 bar telescopic piston (minimum 40°- 42° tipping angle).

**Electrical system :** DASTERI Brand LED 2x7 pin sockets- 24V, Standard rear stop lamps, side marker lamps, brake safety warning lamps and signal lights. Side Position Led Zone Lamps, 2 tail & stop combined lamps (red), 2 turn signal combined lamps (orange), 1 license lamp (white)

**Tires :** 6 Pieces 385/65 R 22,5 Starmaxx, Pirelli, Goodyear or Bridgestone  
**Rims :** 6 Pieces 22.5" Jantsa or Jantas Brand  
**King Pin :** DIN 74080 standards 2" king pin detachable from below made with 8 bolt type

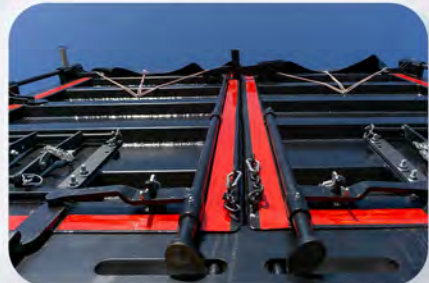
**Landing Gear :** Telescopic, parallel working, double speed with wide shoes static 50 tons, dynamic 25 tons capacity.

**Painting:**  
**First Step :** Sand Blasting all surface,  
**First Layer :** Barrier (%80 Zinc-Reach) Coating Double Times - C5 (ISO 12944-2)  
**Second Layer :** Epoxy Coating  
**Third Layer :** Premium Acrylic Paint  
**Fourth Layer :** 2K Super Clear Coating for Protection and Shine (95-110 GU) 60 Degree

**Accessories and options:**  
 6 x Plastic fenders, Hot deep Galvanized Front canopy, Plastic Mudguards,  
 1x Spare Wheel Carrier, Aluminium Side Bicycle Protection, Manual or Electrical Tarpaulin,

**WARRANTY**  
 • Parts used for 1 year (Manufacturer warranty. Except for accident-usage errors)  
 • 1 year manufacturer (excluding, accident-usage errors)

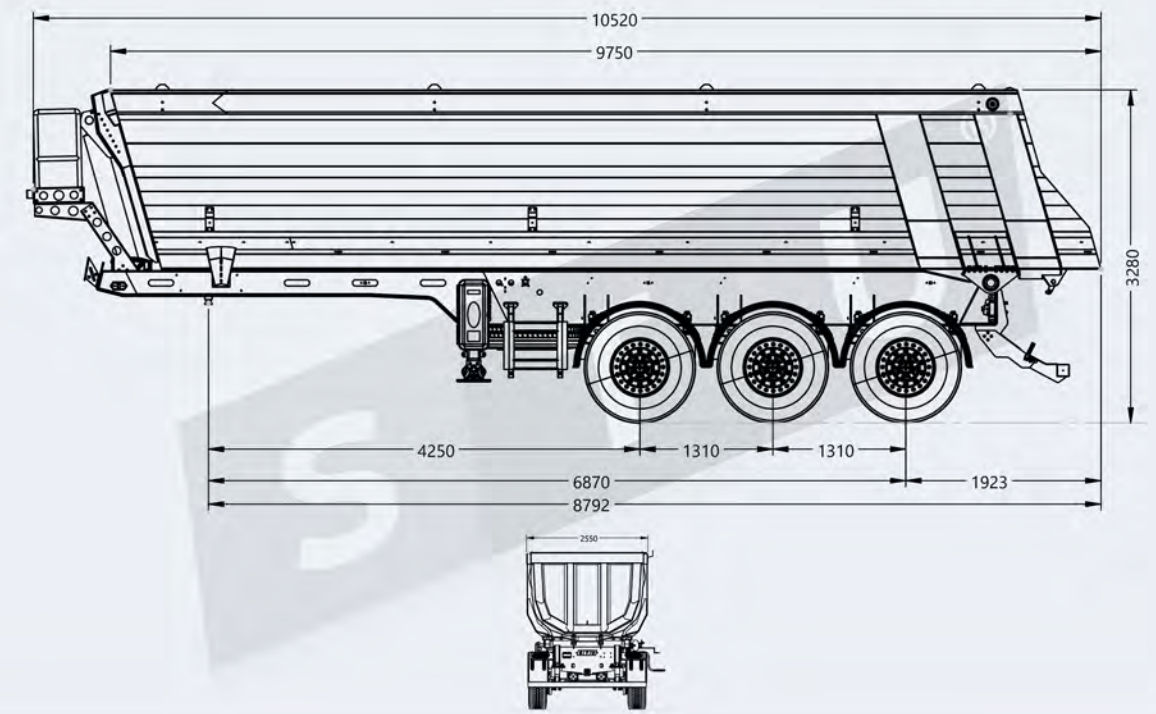
## DETAIL PICTURES



# 26-32 M<sup>3</sup> / 3 AXLE POOL TYPE TIPPER TRAILER



## TECHNICAL DRAWING



## SPECIFICATIONS

### Chassis and Body : Volume: 26-32 M3

Tipper box is produced from SSAB Brand HARDOX Floor will be 4 mm and side walls will be 3 mm or 5mm/4mm

**Hydraulic** : H TYPE 250 bar telescopic piston (minimum 40° - 42° tipping angle).

**Axles** : 3 Axles TRAX BRAND, 12 Ton capacity with air spring suspensions with first axle automatic lifting

**Suspensions** : All axles supplied with air suspension with pillows.

**Brake System** : 2S-2M Knorr Bremse or Wabco brand EBS braking system

**Electrical system** : DASTERI Brand LED 2x7 pin sockets- 24V, Standard rear stop lamps, side marker lamps, brake safety warning lamps and signal lights. Side Position Led Zone Lamps, 2 tail & stop combined lamps (red), 2 turn signal combined lamps (orange), 1 license lamp (white)

**Tires** : 6 Pieces 385/65 R 22,5 Starmaxx, Pirelli, Goodyear or Bridgestone

**Rims** : 6 Pieces 22.5" Jantsa or Jantas Brand

**King Pin** : DIN 74080 standards 2" king pin detachable from below made with 8 bolt type

**Landing Gear** : Telescopic, parallel working, double speed jointed with wide shoes static 50 tons, dynamic 25 tons capacity.

### Painting:

**First Step** : Sand Blasting all surface,

**First Layer** : Barrier (%80 Zinc-Reach) Coating Double Times - C5 (ISO 12944-2)

**Second Layer** : Epoxy Coating

**Third Layer** : Premium Acrylic Paint

**Fourth Layer** : 2K Super Clear Coating for Protection and Shine (95-110 GU) 60 Degree

### Accessories and options:

6 x Plastic fenders, Hot deep Galvanized Front canopy, Plastic Mudguards, 1x Spare Wheel Carrier, Aluminium Side Bicycle Protection, Manual or Electrical Tarpaulin,

### WARRANTY

- Parts used for 1 year (Manufacturer warranty. Except for accident-usage errors)
- 1 year manufacturer (excluding, accident-usage errors)

## DETAIL PICTURES





**S T U**®

[www.stutrailer.com](http://www.stutrailer.com)

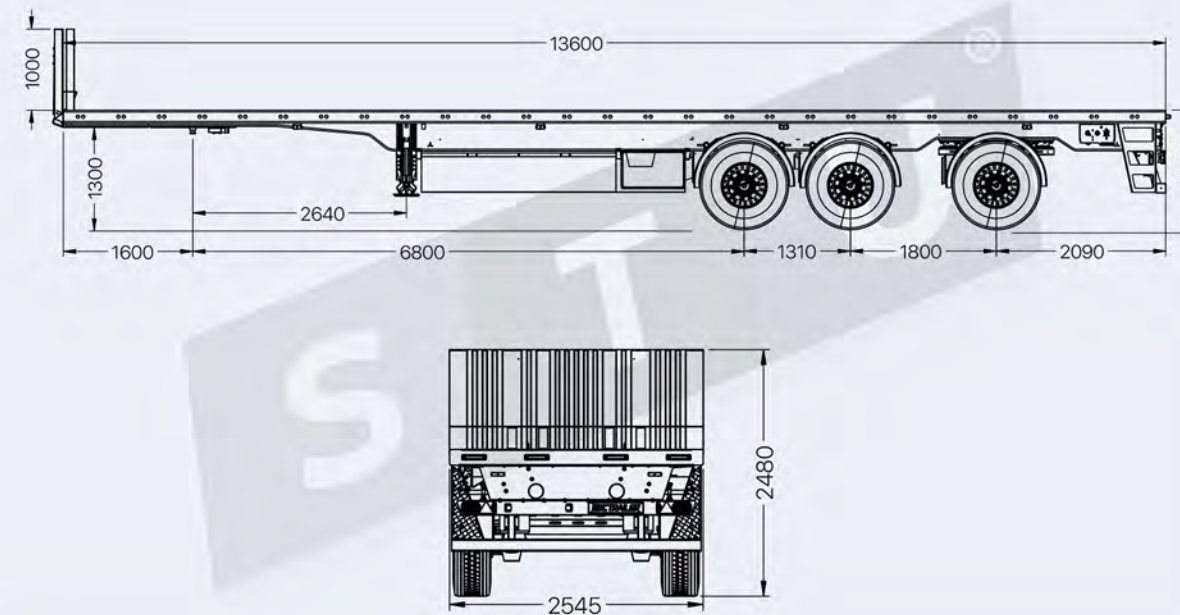


**FLATBED  
PLATFORM  
TRAILER**

# 2 OR 3 AXLE MECHANIC STEERING FLATBED TRAILER



TECHNICAL DRAWING



## SPECIFICATIONS

**Chassis :** In accordance with the purpose of usage and it's capacity with safety transports, all trailers design of their constructions with high strenght cross members and productions are with high-tech welding machines. Chassis made from S355J2+N steel grade.

**Axles :** 2 or 3 x 9 Tons Disc axles with air spri

**Rims :** 4 pcs 22.5" Jantas or Jantsa Brand Rims

**Brake System :** Wabco or Knorr 2S-2M EBS system, Automatic Slack adjuster to be, Air tanks to be 80 + 80 + 1LT ( For filter )capacity

**Electrical system :** DASTERI Brand Led Dynamic Stop Lights 2x7 pin sockets - 24V according to standard in SAE, Dynamic LED rear stop lamps, side marker lamps, brake safety warning lamps and signal light, 2 tail & stop combined lamps (red), 2 turn signal combined lamps (orange), 1 license lamp (white).

**King Pin :** DIN 74080 standards 2" king pin detachable from below made by SAE standards 8 bolt type. With E certificate.

**Landing Gear :** Front jack feet are telescopic, parallel working, double speed jointed with wide shoes static 50 tons, dynamic 25 tons capacity.

### Painting:

**First Step :** Sand Blasting all surface,

**First Layer :** Barrier (%80 Zinc-Reach) Coating Double Times - C5 (ISO 12944-2)

**Second Layer :** Epoxy Coating

**Third Layer :** Premium Acrylic Paint

**Fourth Layer :** 2K Super Clear Coating for Protection and Shine (95-110 GU) 60 Degree

### Accessories and Options:

Plastic Mudguards on tyres, Document Box, Side Profile Holes (100 x 50 mm)

14 x Side Galvanized Stanchions 100x50x6, On platform galvanized omega profiles including Hardwood (IREKO or SAPELLE ) Front Wall Panel, Control Panel / Emergency Brake, Aluminum bike impact absorber

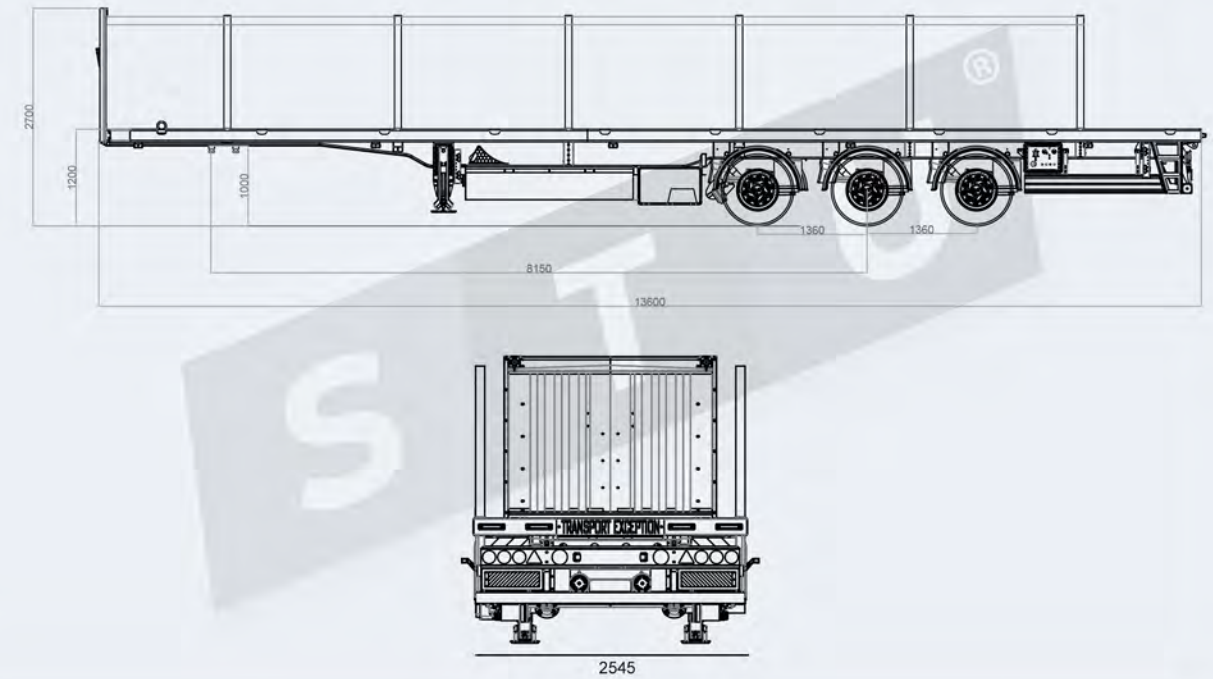
## DETAIL PICTURES



# 3 AXLE MEGA TRAILER



## TECHNICAL DRAWING



## SPECIFICATIONS

**Chassis :** In accordance with the purpose of usage and it's capacity with safety transports, all trailers design of their constructions with high strenght cross members and productions are with high-tech welding machines. Chassis made from S355J2+N steel grade.

**Axles :** 3 x 9 Tons Disc SAF brand or 3x12 Tons Capacity Drum Brake TRAX brand axles with air spring suspensions. There are brake shoes and heavy brake levers suitable for TSE norms. It is supplied with 4 or 6 pcs of air suspension.

**Tires :** 6 pcs 385/65 R22,5"

**Rims :** 6 pcs 22.5" Jantas or Jantsa Brand Rims

**Brake System :** Wabco or Knorr 2S-2M EBS system, Automatic Slack adjuster.

**Electrical system :** DASTERI Brand Led Dynamic Stop Lights 2x7 pin sockets - 24V according to standard in SAE, Dynamic LED rear stop lamps, side marker lamps, brake safety warning lamps and signal light, . 2 tail & stop combined lamps (red), 2 turn signal combined lamps (orange), 1 license lamp (white).

**King Pin:** DIN 74080 standards 2" king pin detachable from below made by SAE standards 8 bolt type. With E certificate.

**Landing Gear:** Front jack feet are telescopic, parallel working, double speed jointed with wide shoes static 50 tons, dynamic 25 tons capacity.

### Painting:

**First Step** : Sand Blasting all surface,

**First Layer** : Barrier (%80 Zinc-Reach) Coating Double Times - C5 (ISO 12944-2)

**Second Layer** : Epoxy Coating

**Third Layer** : Premium Acrylic Paint

**Fourth Layer** : 2K Super Clear Coating for Protection and Shine (95-110 GU) 60 Degree

### Accessories and Options:

Plastic Mudguards on tyres, Document Box, Side Profile Holes (100 x 50 mm)

14 x Side Galvanized Stanchions 100x50x6, On platform galvanized omega profiles including Hardwood (Beech, IREKO or SAPELLE) Front Wall Panel, Control Panel / Emergency Brake, Aluminum bike impact absorber

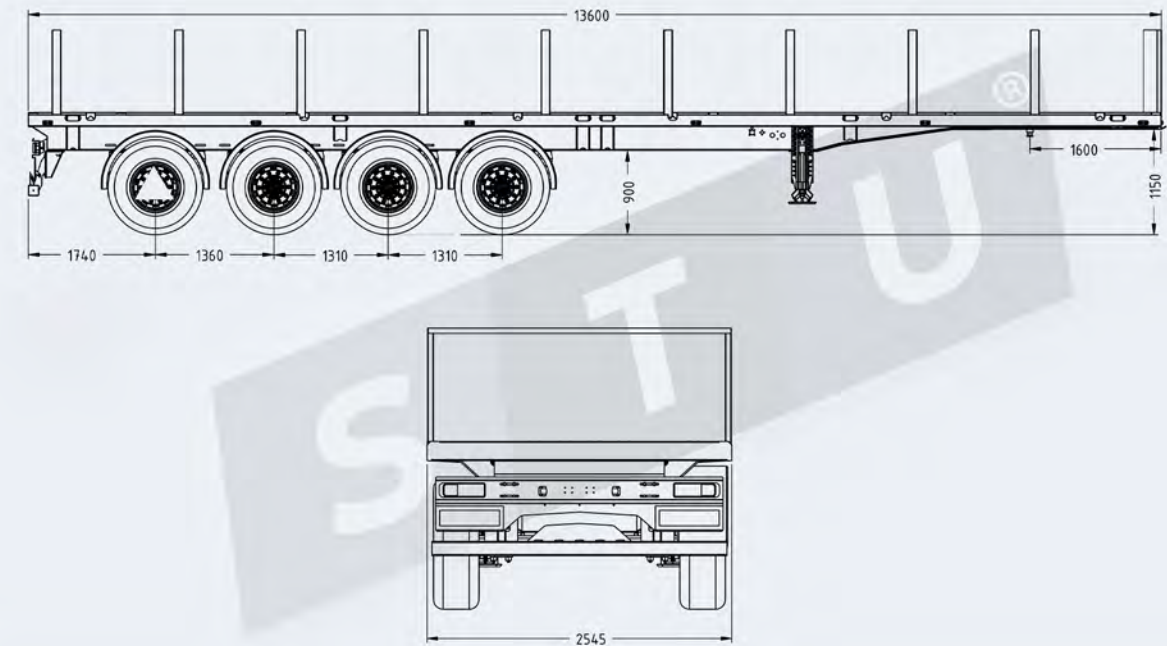
## DETAIL PICTURES



# 4 AXLE FLATBED TRAILER



## TECHNICAL DRAWING



## SPECIFICATIONS

**Chassis :** In accordance with the purpose of usage and its capacity with safety transports, all trailers design of their constructions with high strength cross members and productions are with high-tech welding machines. Chassis made from S355J2+N steel grade.

**Axles :** 4x12 Tons Capacity axles with mechanic leaf spring suspensions.

**Tires :** 8 pcs 385/65 R22,5"

**Rims :** 8 pcs 22.5" Jantas or Jantsa Brand Rims

**Brake System :** Wabco or Knorr 2S-2M EBS or ABS or Dual Line Brake system

**Electrical system :** DASTERI Brand Led Dynamic Stop Lights 2x7 pin sockets - 24V according to standard in SAE, Dynamic LED rear stop lamps, side marker lamps, brake safety warning lamps and signal light, 2 tail & stop combined lamps (red), 2 turn signal combined lamps (orange), 1 license lamp (white).

**King Pin :** DIN 74080 standards 2" king pin detachable from below made by SAE standards 8 bolt type. With E certificate.

**Landing Gear:** Front jack feet are telescopic, parallel working, double speed jointed with wide shoes static 50 tons, dynamic 25 tons capacity.

### Painting:

**First Step :** Sand Blasting all surface,

**First Layer :** Barrier (%80 Zinc-Reach) Coating Double Times - C5 (ISO 12944-2)

**Second Layer :** Epoxy Coating

**Third Layer :** Premium Acrylic Paint

**Fourth Layer :** 2K Super Clear Coating for Protection and Shine (95-110 GU) 60 Degree

### Accessories and Options:

Plastic Mudguards, Side Profile Holes (100 x 50 mm), 14 x Side Galvanized Stanchions 100x50x6, On platform galvanized omega profiles including beech wood, Front Wall Panel, Control Panel / Emergency Brake, Aluminum bike impact absorber, detachable container locks.

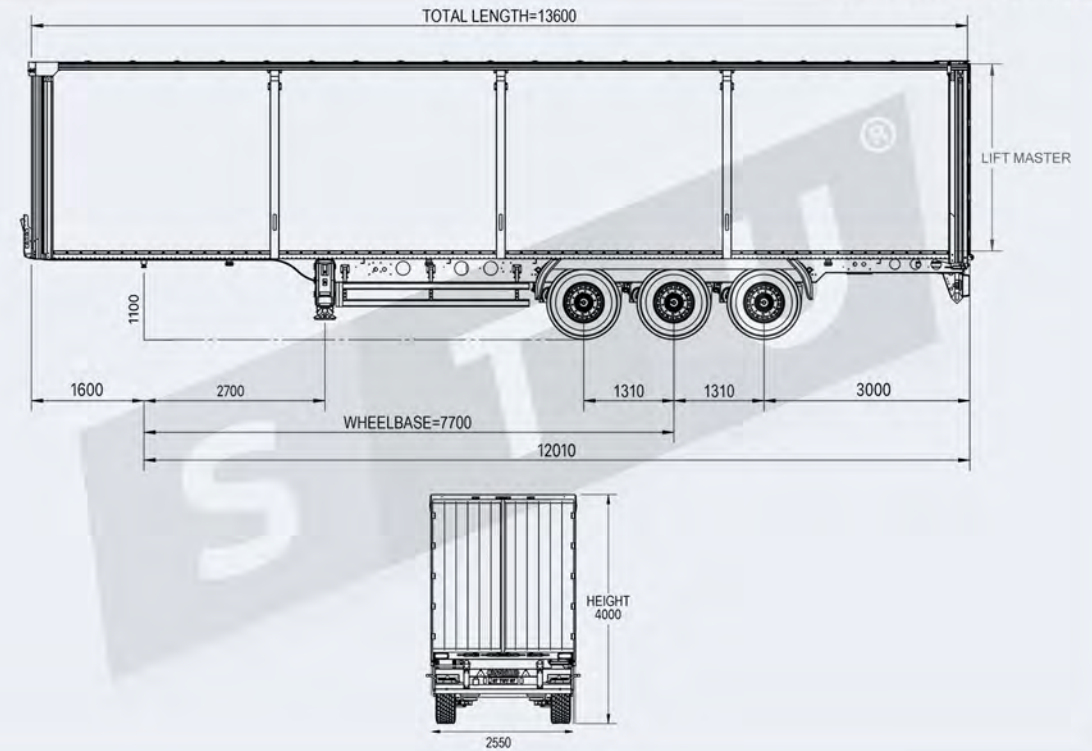
## DETAIL PICTURES



# CURTAINSIDER TRAILER



## TECHNICAL DRAWING



## SPECIFICATIONS

**Chassis :** In accordance with the international transportation standards and prepared as having "I" section with high resistance to allow to obtain the highest efficiency under all road and weather conditions, is manufactured with automatic MIG/MAG welding machines. S355J2+N / ST52 Quality Sheet " I" type. Under and Upper steel are 12mm and main chassis steel is 5 mm. We will put 12mm extra fortification steel with S355J2+N / ST52 Steel. The floor surface is with Plywood

**Axles :** 3 x 9 SAF Brand Axles with air spring suspensions / Disc brakes. There are brake shoes and heavy brake levers suitable for TSE norms. First axle liftable

**Suspensions:** It is supplied with 6 pcs of air spring suspension

**Tires :** 6 pcs 385/65 R22,5" Pirelli, Petlas or Other Brand

**Rims :** 6 pcs 22.5" Jantas or Jantsa Brand Rims

**Brake System :** Knorr Bremse or Wabco brand 2S/2M EBS braking system will be used.

**Brake Chambers :** 2 Axles with emergency brake chamber 30/30, 1 axle with service brake chamber 30

**Electrical system :** Hamburger Lamps Dasteri Brand 2x7 pin sockets - 24V, lights accord to standard in SAE, side marker lamps, brake safety warning lamps and signal light fitted at the rear. 2 tail & stop combined lamps (red), 2 turn signal combined lamps (orange), 1 license lamp (white).

**King Pin :** OMS brand DIN 74080 standards 2" king pin detachable from below made by SAE standards 8 bolt type. With E certificate

**Landing Gear :** OMS or GOS Brand front jack feet are telescopic, parallel working, double speed jointed with wide shoes static 50 tons, dynamic 25 tons capacity.

**Painting:**

**First Step :** Sand Blasting all surface,

**First Layer :** Barrier™ 80 Jotun (%80 Zinc-Reach) Coating Double Times - C5 (ISO 12944-2)

**Second Layer :** Jotun™ Epoxy Coating

**Third Layer :** Jotun™ Brand Premium Acrylic Paint

**Fourth Layer :** 2K Super Clear Coating for Protection and Shine (95-110 GU)

**Accessories:**

6 x plastic mudguards that covers tires

1 Piece Plastic Tool Box, Control Panel (Mob, air clock, access ramp lever)

Plastic water tank, Spare tire basket, Aluminium alloy bike impact absorber on two sides

Aluminium Light Beam

PlyWood on platform + DHollandia Brand Tail Lift ( Maximum 2300kgs )

## DETAIL PICTURES





[www.stustrailers.com](http://www.stustrailers.com)

# LOWBED TRAILER

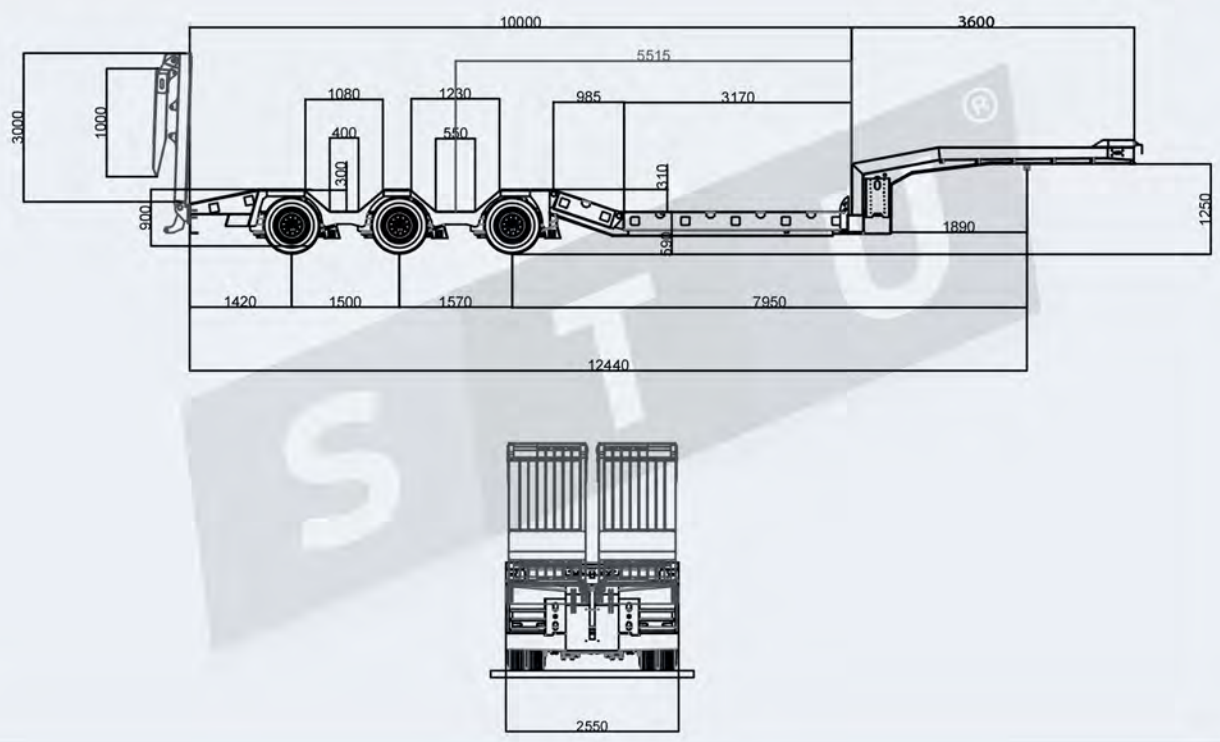
CONVOI  
EXCEPTIONNEL



# WITH WIDE HYDRAULIC RAMPS 3 AXLE LOWBED



## TECHNICAL DRAWING



## SPECIFICATIONS

**CHASSIS and STRUCTURE** : S355JS+N Steel grade or Strenx™ 700E ( MC700 ) and with last tech synergic automatic welding machines are using on our production.

**AXLE** : 3 x 9 Tons or 3 x 12 Tons Capacity 17,5" Jumbo Axle, First Axle Liftable, Last axle self steering.

**LOADING RAMP** : 2 x Hydraulic Ramp: moving outside 25 cm from outer of the lowbed, It's powered with and separate with power pack that connected to Truck battery

**SUSPENSION SYSTEM** : Air Suspension System  
**TIRES AND RIMS** : 235/65 R17.5" or 245/70 R17.5" size 12 units tubeless tires

**ELECTRICAL SYSTEM** :  
 Dynamic LED Light 24V electrical system  
 4 x Red+White Expanding to Sides Heavy Loading Reflectors: Front and Back side  
 6 x Led Working Lamps on right and left side and back side, 1 Emergency Turning Lamp

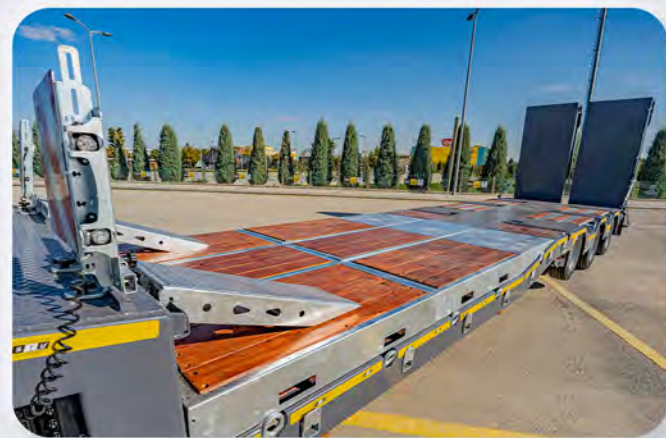
**BRAKE EQUIPMENT** : 4S-3M Knorr or Wabco Brand EBS system to be fitted on trailers  
**KING PIN** : DIN 74080 standards 2" or 3,5" king pin detachable from below made by SAE standards E certificate. (Extra one more spare part)

**PARKING LEGS** : Front Jack feet are telescopic, parallel working, double speed jointed with wide shoes static 50 tons, dynamic 25 tons capacity. Manual or Hydraulic Supporter Landing Legs on rear under chassis for loadings

**PAINT and COLOR:**  
**First Step** : Sand Blasting all surface  
**First Layer** : Barrier™ 80 (%80 Zinc-Reach) Coating Double Times - C5 (ISO 12944-2)  
**Second Layer** : Epoxy Coating  
**Third Layer** : Brand Premium Acrylic Paint  
**Fourth Layer** : 2K Super Clear Coating for Protection and Shine (95-110 GU) 60 Degree  
 Color of the trailer will be RAL.....  
 On platform anti slip painting

**ACCESSORIES & OPTIONS:**  
 Control Panel for lights and suspension  
 2 x 7 Widening Brackets, 2 x Bike safety bar, Gooseneck completely with chequered steel, 14 x 10 tons chain rings, 14 x Chain Rings On Platform Sides, 1 Tool box on the gooseneck, 1 Toolbox On Right, 1 Toolbox on Left Side, Beech Tree Wood on platform, 45 Degrees on Gooseneck Corner , Galvanized Small Parts, Anti-Spray Mudguards, 2 x Wheel Wedges

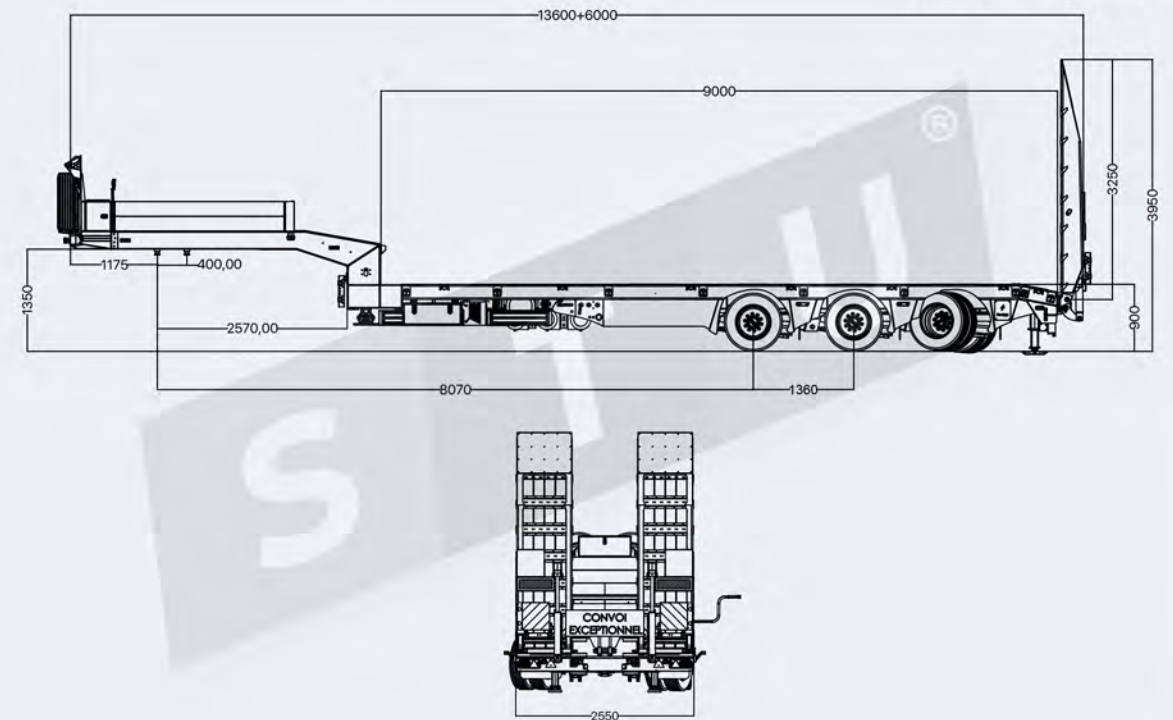
## DETAIL PICTURES



# 3 AXLE EXTENDABLE LOWBED



## TECHNICAL DRAWING



## SPECIFICATIONS

**CHASSIS and STRUCTURE :** S355JS+N Steel grade or Strenx™ 700E ( MC700 ) and with last tech synergic automatic welding machines are using on our production. Extension will be 6 meter with movable 500mm saddle and every 500 mm there will be locking point. Extensions made with Strenx 700MC steel grade.

**AXLE :** 3 x 9 Tons or 3 x 12 Tons Capacity 17,5" Jumbo Axle, First Axle Lifttable, Last axle self steering.

**LOADING RAMP :** 2 x Hydraulic Ramp: moving outside 25 cm from outer of the lowbed, It's powered with and separate with power pack that connected to Truck battery

**SUSPENSION SYSTEM :** Air Suspension System

**TIRES AND RIMS :** 235/65 R17.5" or 245/70 R17.5" size 12 units tubeless tires

**ELECTRICAL SYSTEM :**

Dynamic LED Light 24V electrical system  
4 x Red+White Expanding to Sides Heavy Loading Reflectors: Front and Back side  
6 x Led Working Lamps on right and left side and back side, 1 Emergency Turning Lamp

**BRAKE EQUIPMENT :** 4S-3M Knorr or Wabco Brand EBS system to be fitted on trailers

**KING PIN :** DIN 74080 standards 2" or 3,5" king pin detachable from below made by SAE standards E certificate. (Extra one more spare part)

**PARKING LEGS :** Front Jack feet are telescopic, parallel working, double speed jointed with wide shoes static 50 tons, dynamic 25 tons capacity. Manual or Hydraulic Supporter Landing Legs on rear under chassis for loadings

**PAINT and COLOR:**

**First Step :** Sand Blasting all surface  
**First Layer :** Barrier™ 80 (%80 Zinc-Reach) Coating Double Times - C5 (ISO 12944-2)  
**Second Layer :** Epoxy Coating  
**Third Layer :** Brand Premium Acrylic Paint  
**Fourth Layer :** 2K Super Clear Coating for Protection and Shine (95-110 GU) 60 Degree  
Color of the trailer will be RAL.....  
On platform anti slip painting

**ACCESSORIES & OPTIONS:**

Control Panel for lights and suspension  
2 x 7 Widening Brackets, 2 x Bike safety bar, Gooseneck completely with chequered steel,  
14 x 10 tons chain rings, 14 x Chain Rings On Platform Sides, 1 Tool box on the gooseneck, 1 Toolbox On Right, 1 Toolbox On Left Side, Beech Tree Wood on platform, 45 Degrees on Gooseneck Corner , Galvanized Small Parts, Anti-Spray Mudguards, 2 x Wheel Wedges

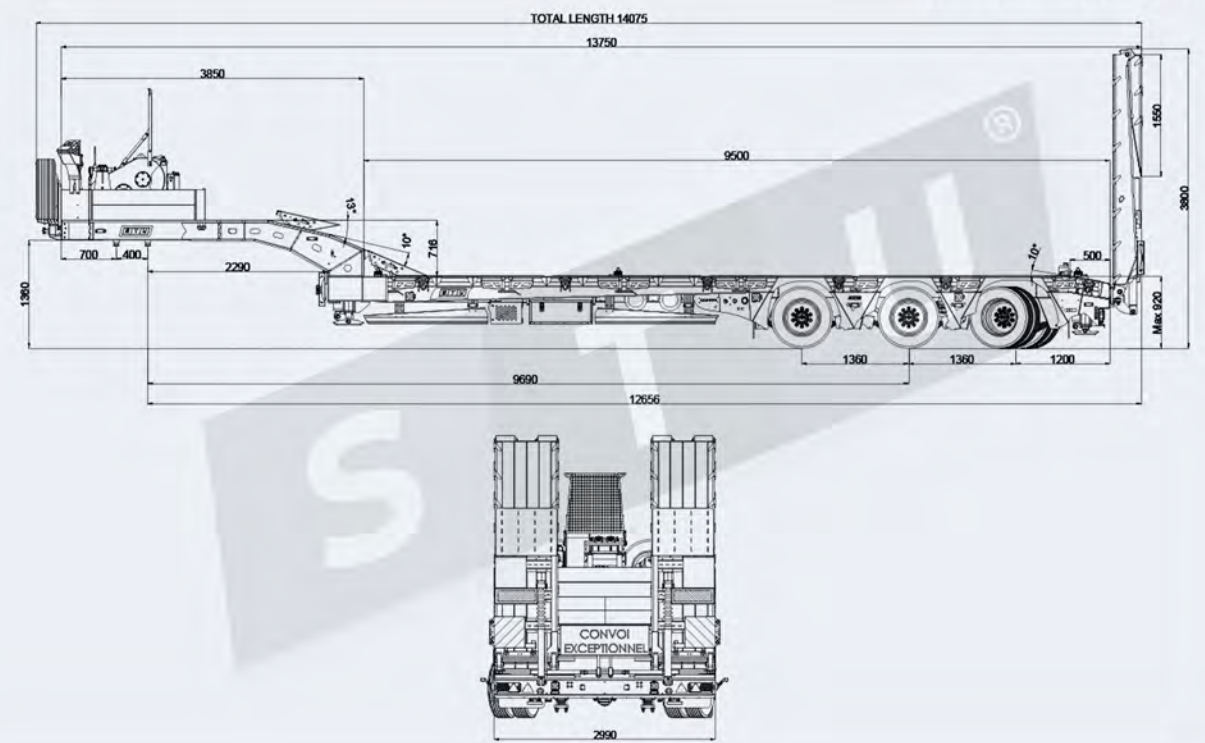
## DETAIL PICTURES



# 3 AXLE LOWBED



## TECHNICAL DRAWING



## SPECIFICATIONS

**CHASSIS and STRUCTURE** : S355JS+N Steel grade or Strenx™ 700E ( MC700 ) and with last tech synergic automatic welding machines are using on our production.

**AXLE** : 3 x 9 Tons or 3 x 12 Tons Capacity 17,5" Jumbo Axle, First Axle Lifiable, Last axle self steering with air suspensions or mechanic leaf spring suspensions.

**LOADING RAMP** : 2 x Hydraulic Ramp: moving outside 25 cm from outer of the lowbed, It's powered with and separate with power pack that connected to Truck battery

**SUSPENSION SYSTEM** : Air Suspension System  
**TIRES AND RIMS** : 235/65 R17.5" or 245/70 R17.5" size 12 units tubeless tires

**ELECTRICAL SYSTEM** :  
 Dynamic LED Light 24V electrical system  
 4 x Red+White Expanding to Sides Heavy Loading Reflectors: Front and Back side  
 6 x Led Working Lamps on right and left side and back side, 1 Emergency Turning Lamp

**BRAKE EQUIPMENT** : 4S-3M Knorr or Wabco Brand EBS system to be fitted on trailers  
**KING PIN** : DIN 74080 standards 2" or 3,5" king pin detachable from below made by SAE standards E certificate. (Extra one more spare part)

**PARKING LEGS** : Front Jack feet are telescopic, parallel working, double speed jointed with wide shoes static 50 tons, dynamic 25 tons capacity. Manual or Hydraulic Supporter Landing Legs on rear under chassis for loadings

**PAINT and COLOR:**  
**First Step** : Sand Blasting all surface  
**First Layer** : Barrier™ 80 (%80 Zinc-Reach) Coating Double Times - C5 (ISO 12944-2)  
**Second Layer** : Epoxy Coating  
**Third Layer** : Brand Premium Acrylic Paint  
**Fourth Layer** : 2K Super Clear Coating for Protection and Shine (95-110 GU) 60 Degree  
 Color of the trailer will be RAL.....  
 On platform anti slip painting

**ACCESSORIES & OPTIONS:**  
 Control Panel for lights and suspension  
 2 x 7 Widening Brackets, 2 x Bike safety bar, Gooseneck completely with chequered steel,  
 14 x 10 tons chain rings, 14 x Chain Rings On Platform Sides, 1 Tool box on the gooseneck, 1 Toolbox On Right, 1 Toolbox On Left Side, Beech Tree Wood on platform, 45 Degrees on Gooseneck Corner , Galvanized Small Parts, Anti-Spray Mudguards, 2 x Wheel Wedges

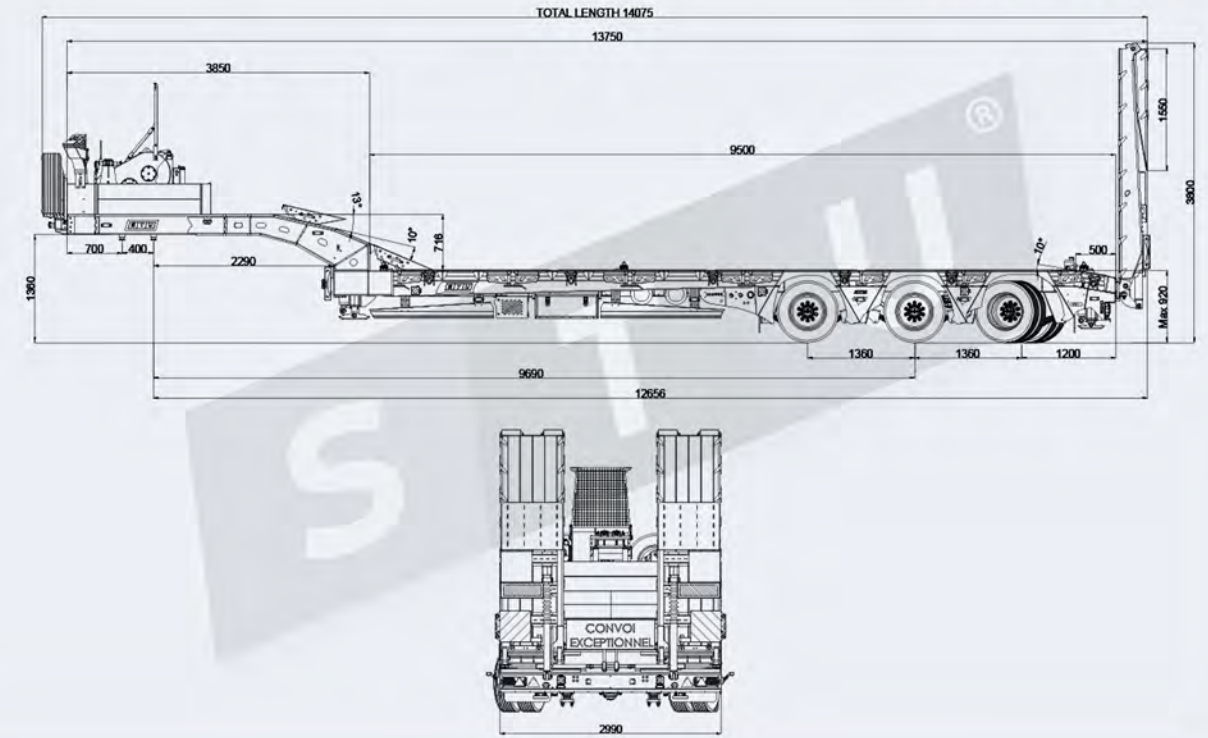
## DETAIL PICTURES



# 3 AXLE LOWBED



## TECHNICAL DRAWING



## SPECIFICATIONS

**CHASSIS and STRUCTURE** : S355JS+N Steel grade or Strenx™ 700E ( MC700 ) and with last tech synergic automatic welding machines are using on our production.

**AXLE** : 3 x 9 Tons or 3 x 12 Tons Capacity 17,5" Jumbo Axle, First Axle Lifiable, Last axle self steering with air suspensions or mechanic leaf spring suspensions.

**LOADING RAMP** : 2 x Hydraulic Ramp: moving outside 25 cm from outer of the lowbed, It's powered with and separate with power pack that connected to Truck battery

**SUSPENSION SYSTEM** : Air Suspension System  
**TIRES AND RIMS** : 235/65 R17.5" or 245/70 R17.5" size 12 units tubeless tires

**ELECTRICAL SYSTEM** : Dynamic LED Light 24V electrical system  
 4 x Red+White Expanding to Sides Heavy Loading Reflectors: Front and Back side  
 6 x Led Working Lamps on right and left side and back side, 1 Emergency Turning Lamp

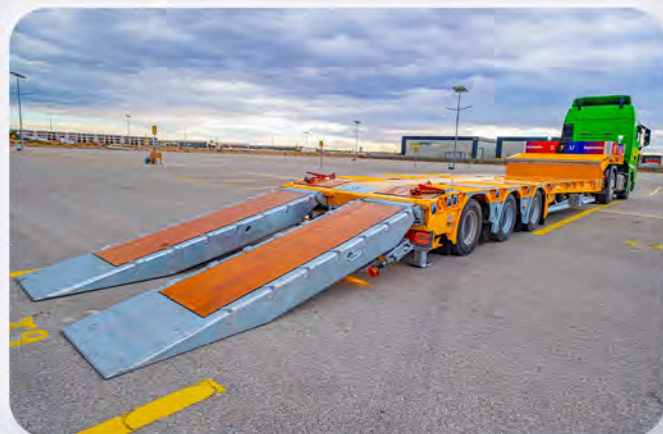
**BRAKE EQUIPMENT** : 4S-3M Knorr or Wabco Brand EBS system to be fitted on trailers  
**KING PIN** : DIN 74080 standards 2" or 3,5" king pin detachable from below made by SAE standards E certificate. (Extra one more spare part)

**PARKING LEGS** : Front Jack feet are telescopic, parallel working, double speed jointed with wide shoes static 50 tons, dynamic 25 tons capacity. Manual or Hydraulic Supporter Landing Legs on rear under chassis for loadings

**PAINT and COLOR:**  
**First Step** : Sand Blasting all surface  
**First Layer** : Barrier™ 80 (%80 Zinc-Reach) Coating Double Times - C5 (ISO 12944-2)  
**Second Layer** : Epoxy Coating  
**Third Layer** : Brand Premium Acrylic Paint  
**Fourth Layer** : 2K Super Clear Coating for Protection and Shine (95-110 GU) 60 Degree  
 Color of the trailer will be RAL.....  
 On platform anti slip painting

**ACCESSORIES & OPTIONS:**  
 Control Panel for lights and suspension  
 2 x 7 Widening Brackets, 2 x Bike safety bar, Gooseneck completely with chequered steel,  
 14 x 10 tons chain rings, 14 x Chain Rings On Platform Sides, 1 Tool box on the gooseneck, 1 Toolbox On Right, 1 Toolbox on Left Side, Beech Tree Wood on platform, 45 Degrees on Gooseneck Corner , Galvanized Small Parts, Anti-Spray Mudguards, 2 x Wheel Wedges

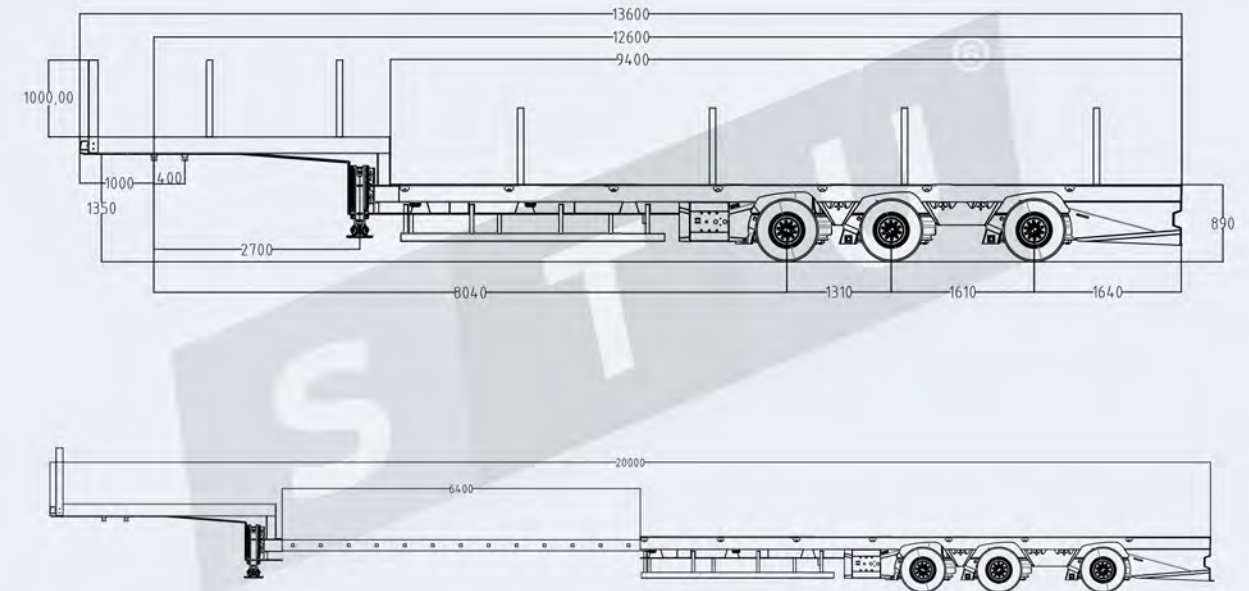
## DETAIL PICTURES



# 3 AXLE EXTENDABLE STEP DECK LOWBED



## TECHNICAL DRAWING



## SPECIFICATIONS

**CHASSIS and STRUCTURE** : S355JS+N Steel grade or Strenx™ 700E ( MC700 ) and with last tech synergic automatic welding machines are using on our production.

**AXLE** : 3 x9 Tons or 3 x 12 Tons Capacity 17,5" Jumbo Axle, First Axle Lifiable, Last axle self steering.

**LOADING RAMP** : 2 x Hydraulic Ramp: moving outside 25 cm from outer of the lowbed, It's powered with and separate with power pack that connected to Truck battery

**SUSPENSION SYSTEM** : Air Suspension System  
**TIRES AND RIMS** : 235/65 R17.5" or 245/70 R17.5" size 12 units tubeless tires

**ELECTRICAL SYSTEM** : Dynamic LED Light 24V electrical system  
 4 x Red+White Expanding to Sides Heavy Loading Reflectors: Front and Back side  
 6 x Led Working Lamps on right and left side and back side, 1 Emergency Turning Lamp

**BRAKE EQUIPMENT** : 4S-3M Knorr or Wabco Brand EBS system to be fitted on trailers  
**KING PIN** : DIN 74080 standards 2" or 3,5" king pin detachable from below made by SAE standards E certificate. (Extra one more spare part)

**PARKING LEGS** : Front Jack feet are telescopic, parallel working, double speed jointed with wide shoes static 50 tons, dynamic 25 tons capacity. Manual or Hydraulic Supporter Landing Legs on rear under chassis for loadings

**PAINT and COLOR:**  
**First Step** : Sand Blasting all surface  
**First Layer** : Barrier™ 80 (%80 Zinc-Reach) Coating Double Times - C5 (ISO 12944-2)  
**Second Layer** : Epoxy Coating  
**Third Layer** : Brand Premium Acrylic Paint  
**Fourth Layer** : 2K Super Clear Coating for Protection and Shine (95-110 GU) 60 Degree  
 Color of the trailer will be RAL.....  
 On platform anti slip painting

**ACCESSORIES & OPTIONS:**  
 Control Panel for lights and suspension  
 2 x 7 Widening Brackets, 2 x Bike safety bar, Gooseneck completely with chequered steel,  
 14 x 10 tons chain rings, 14 x Chain Rings On Platform Sides, 1 Tool box on the gooseneck, 1 Toolbox On Right, 1 Toolbox on Left Side, Beech Tree Wood on platform, 45 Degrees on Gooseneck Corner , Galvanized Small Parts, Anti-Spray Mudguards, 2 x Wheel Wedges

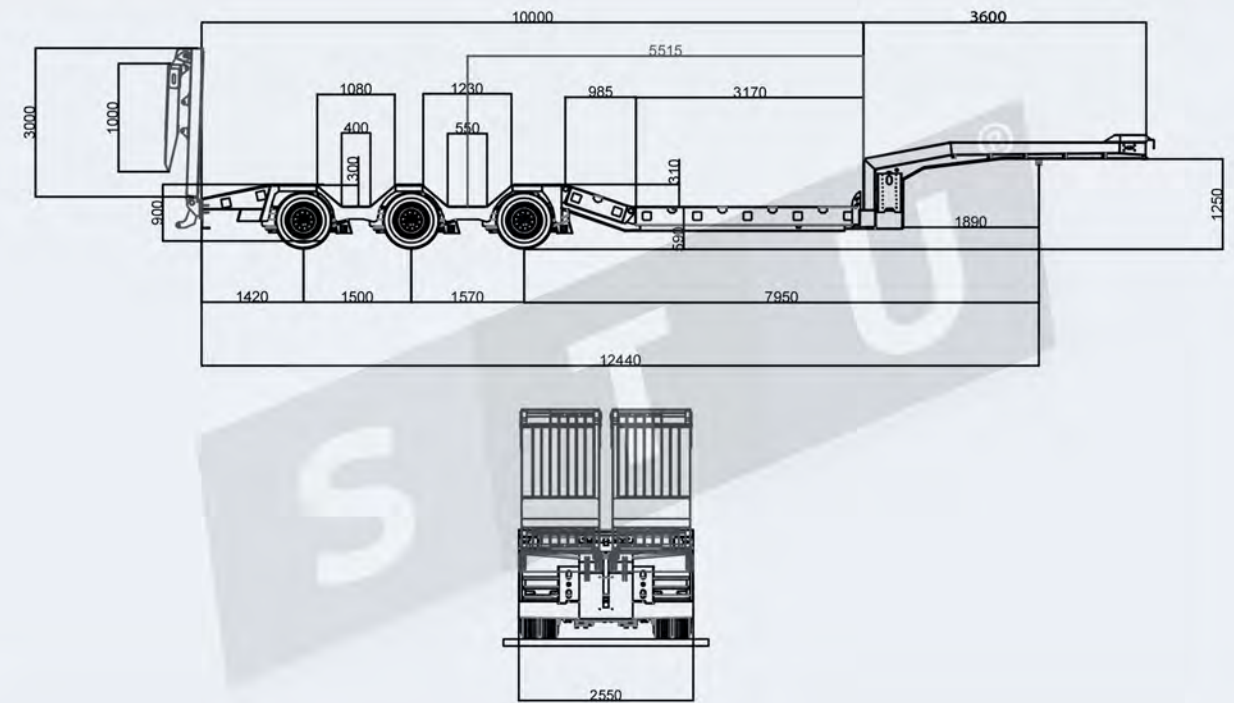
## DETAIL PICTURES



# 3 AXLE FORESTRY LOWBED



## TECHNICAL DRAWING



## SPECIFICATIONS

**CHASSIS and STRUCTURE** : S355JS+N Steel grade or Strenx™ 700E ( MC700 ) and with last tech synergic automatic welding machines are using on our production.

**AXLE** : 3 x 9 Tons or 3 x 12 Tons Capacity 17,5" Jumbo Axle, First Axle Liftable, Last axle self steering.

**LOADING RAMP** : 2 x Hydraulic Ramp: moving outside 25 cm from outer of the lowbed, It's powered with and separate with power pack that connected to Truck battery

**SUSPENSION SYSTEM** : Air Suspension System

**TIRES AND RIMS** : 235/65 R17.5" or 245/70 R17.5" size 12 units tubeless tires

**ELECTRICAL SYSTEM** : Dynamic LED Light 24V electrical system

4 x Red+White Expanding to Sides Heavy Loading Reflectors: Front and Back side  
6 x Led Working Lamps on right and left side and back side, 1 Emergency Turning Lamp

**BRAKE EQUIPMENT** : 4S-3M Knorr or Wabco Brand EBS system to be fitted on trailers

**KING PIN** : DIN 74080 standards 2" or 3,5" king pin detachable from below made by SAE standards E certificate. (Extra one more spare part)

**PARKING LEGS** : Front Jack feet are telescopic, parallel working, double speed jointed with wide shoes static 50 tons, dynamic 25 tons capacity. Manual or Hydraulic Supporter Landing Legs on rear under chassis for loadings

**PAINT and COLOR:**

**First Step** : Sand Blasting all surface

**First Layer** : Barrier™ 80 (%80 Zinc-Reach) Coating Double Times - C5 (ISO 12944-2)

**Second Layer** : Epoxy Coating

**Third Layer** : Brand Premium Acrylic Paint

**Fourth Layer** : 2K Super Clear Coating for Protection and Shine (95-110 GU) 60 Degree

Color of the trailer will be RAL.....

On platform anti slip painting

**ACCESSORIES & OPTIONS:**

Control Panel for lights and suspension

2 x 7 Widening Brackets, 2 x Bike safety bar, Gooseneck completely with chequered steel, 14 x 10 tons chain rings, 14 x Chain Rings On Platform Sides, 1 Tool box on the gooseneck, 1 Toolbox On Right, 1 Toolbox on Left Side, Beech Tree Wood on platform, 45 Degrees on Gooseneck Corner , Galvanized Small Parts, Anti-Spray Mudguards, 2 x Wheel Wedges

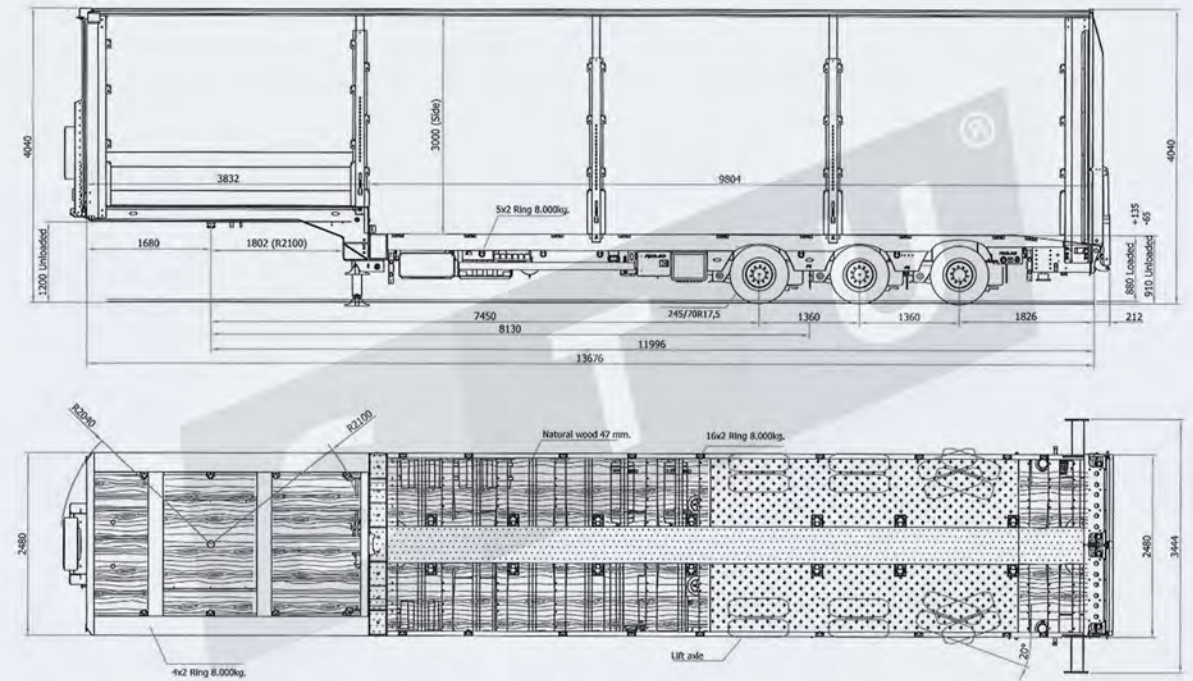
## DETAIL PICTURES



# 3 AXLE WITH CURTAINSIDER LOWBED



## TECHNICAL DRAWING



## SPECIFICATIONS

**CHASSIS and STRUCTURE :** S355JS+N Steel grade or Strenx™ 700E ( MC700 ) and with last tech synergic automatic welding machines are using on our production.

**AXLE :** 3 x9 Tons or 3 x 12 Tons Capacity 17,5" Jumbo Axle, First Axle Lifiable, Last axle self steering.

**LOADING RAMP :** 2 x Hydraulic Ramp: moving outside 25 cm from outer of the lowbed, It's powered with and separate with power pack that connected to Truck battery

**SUSPENSION SYSTEM :** Air Suspension System or mechanic leaf spring suspensions.  
**TIRES AND RIMS :** 235/65 R17.5" or 245/70 R17.5" size 12 units tubeless tires

**ELECTRICAL SYSTEM :** Dynamic LED Light 24V electrical system  
4 x Red+White Expanding to Sides Heavy Loading Reflectors: Front and Back side  
6 x Led Working Lamps on right and left side and back side, 1 Emergency Turning Lamp

**BRAKE EQUIPMENT :** 4S-3M Knorr or Wabco Brand EBS system to be fitted on trailers  
**KING PIN:** DIN 74080 standards 2" or 3,5" king pin detachable from below made by SAE standards E certificate. (Extra one more spare part)

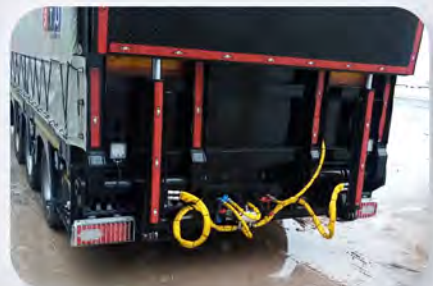
**PARKING LEGS :** Front Jack feet are telescopic, parallel working, double speed jointed with wide shoes static 50 tons, dynamic 25 tons capacity. Manual or Hydraulic Supporter Landing Legs on rear under chassis for loadings

**PAINT and COLOR:**  
**First Step :** Sand Blasting all surface  
**First Layer :** Barrier™ 80 (%80 Zinc-Reach) Coating Double Times - C5 (ISO 12944-2)  
**Second Layer :** Epoxy Coating  
**Third Layer :** Brand Premium Acrylic Paint  
**Fourth Layer :** 2K Super Clear Coating for Protection and Shine (95-110 GU) 60 Degree  
Color of the trailer will be RAL.....  
On platform anti slip painting

**Custainsider / Tent :** On Platform completely closing a tent which is suitable with EU standards and moving slightly for closed loads.

**ACCESSORIES & OPTIONS:**  
Control Panel for lights and suspension  
2 x 7 Widening Brackets, 2 x Bike safety bar, Gooseneck completely with chequered steel,  
14 x 10 tons chain rings, 14 x Chain Rings On Platform Sides, 1 Tool box on the gooseneck, 1 Toolbox On Right, 1 Toolbox on Left Side, Beech Tree Wood on platform, 45 Degrees on Gooseneck Corner , Galvanized Small Parts, Anti-Spray Mudguards, 2 x Wheel Wedges

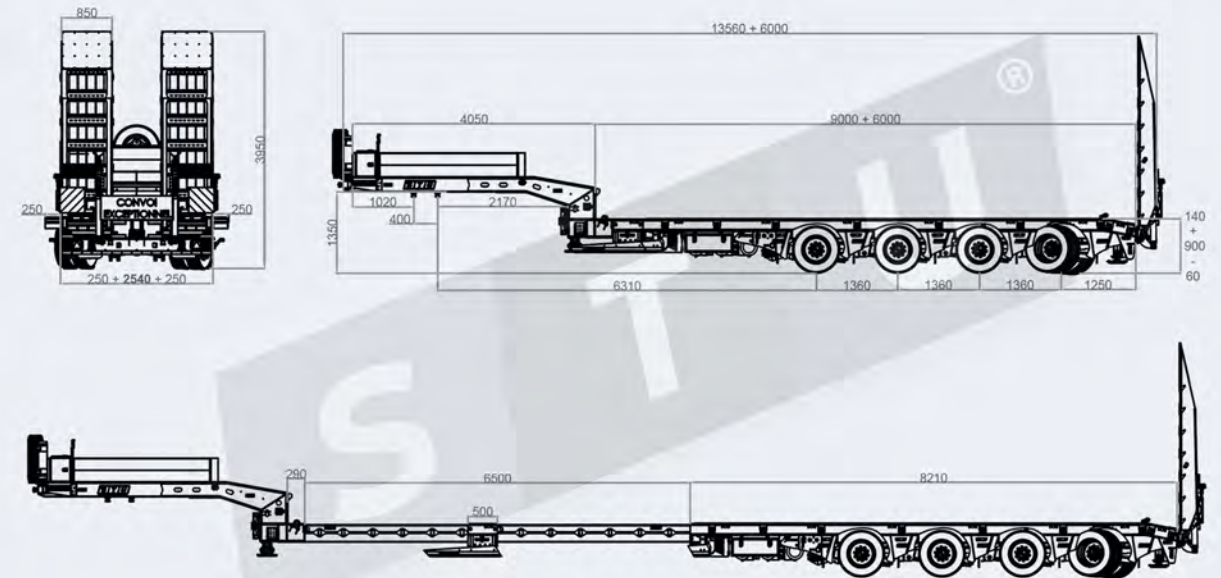
## DETAIL PICTURES



# 4 AXLE EXTENDABLE LOWBED



## TECHNICAL DRAWING



## SPECIFICATIONS

**CHASSIS and STRUCTURE :** S355JS+N Steel grade or Strenx™ 700E ( MC700 ) and with last tech synergic automatic welding machines are using on our production. Extension will be 6 meter with movable 500mm saddle and every 500 mm there will be locking point. Extensions made with Strenx 700MC steel grade.

**AXLE :** 4x9 Tons or 4x12 Tons Capacity 17,5" Jumbo Axle, First Axle Lifiable, Last axle self steering.

**LOADING RAMP :** 2 x Hydraulic Ramp: moving outside 25 cm from outer of the lowbed, It's powered with and separate with power pack that connected to Truck battery

**SUSPENSION SYSTEM :** Air Suspension System or mechanic leaf spring suspensions.  
**TIRES AND RIMS :** 235/65 R17.5" or 245/70 R17.5" size 16 units tubeless tires

**ELECTRICAL SYSTEM :** Dynamic LED Light 24V electrical system  
 4 x Red+White Expanding to Sides Heavy Loading Reflectors: Front and Back side  
 6 x Led Working Lamps on right and left side and back side, 1 Emergency Turning Lamp

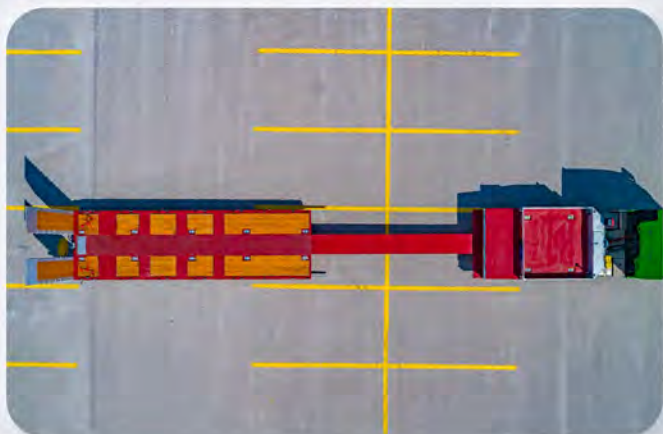
**BRAKE EQUIPMENT :** 4S-3M Knorr or Wabco Brand EBS system to be fitted on trailers  
**KING PIN:** DIN 74080 standards 2" or 3,5" king pin detachable from below made by SAE standards E certificate. (Extra one more spare part)

**PARKING LEGS:** Front Jack feet are telescopic, parallel working, double speed jointed with wide shoes static 50 tons, dynamic 25 tons capacity. Manual or Hydraulic Supporter Landing Legs on rear under chassis for loadings

**PAINT and COLOR:**  
**First Step :** Sand Blasting all surface  
**First Layer :** Barrier™ 80 (%80 Zinc-Reach) Coating Double Times - C5 (ISO 12944-2)  
**Second Layer :** Epoxy Coating  
**Third Layer :** Brand Premium Acrylic Paint  
**Fourth Layer :** 2K Super Clear Coating for Protection and Shine (95-110 GU) 60 Degree  
 Color of the trailer will be RAL.....  
 On platform anti slip painting

**ACCESSORIES & OPTIONS:**  
 Control Panel for lights and suspension  
 2 x 7 Widening Brackets, 2 x Bike safety bar, Gooseneck completely with chequered steel,  
 14 x 10 tons chain rings, 14 x Chain Rings On Platform Sides, 1 Tool box on the gooseneck, 1 Toolbox On Right, 1 Toolbox on Left Side, Beech Tree Wood on platform, 45 Degrees on Gooseneck Corner , Galvanized Small Parts, Anti-Spray Mudguards, 2 x Wheel Wedges

## DETAIL PICTURES

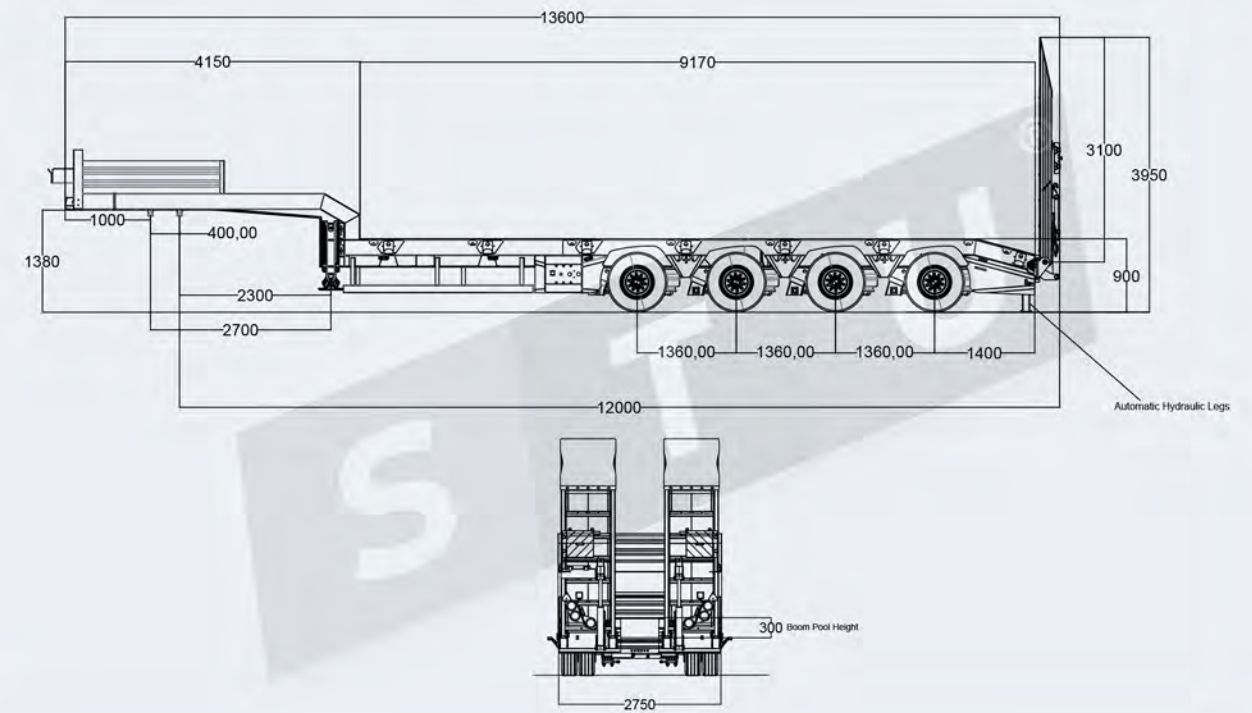




# 4 AXLE LOWBED



## TECHNICAL DRAWING



## SPECIFICATIONS

**CHASSIS and STRUCTURE** : S355JS+N Steel grade or Strenx™ 700E ( MC700 ) and with last tech synergic automatic welding machines are using on our production.

**AXLE** : 4x12 Tons Capacity 17,5" Jumbo Axle, First Axle Lifiable, Last axle self steering.

**LOADING RAMP** : 2 x Hydraulic Ramp: moving outside 25 cm from outer of the lowbed, It's powered with and separate with power pack that connected to Truck battery

**SUSPENSION SYSTEM** : Air Suspension System or mechanic leaf spring suspensions.  
**TIRES AND RIMS** : 235/65 R17.5" or 245/70 R17.5" size 16 units tubeless tires

**ELECTRICAL SYSTEM** : Dynamic LED Light 24V electrical system  
 4 x Red+White Expanding to Sides Heavy Loading Reflectors: Front and Back side  
 6 x Led Working Lamps on right and left side and back side, 1 Emergency Turning Lamp

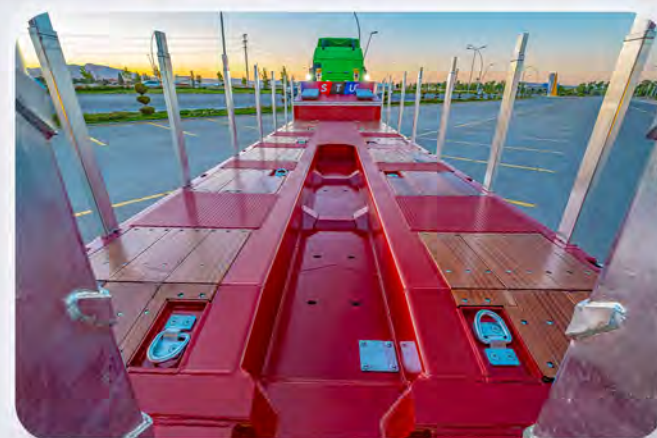
**BRAKE EQUIPMENT** : 4S-3M Knorr or Wabco Brand EBS system to be fitted on trailers  
 KING PIN: DIN 74080 standards 2" or 3,5" king pin detachable from below made by SAE standards E certificate. (Extra one more spare part)

**PARKING LEGS** : Front Jack feet are telescopic, parallel working, double speed jointed with wide shoes static 50 tons, dynamic 25 tons capacity. Manual or Hydraulic Supporter Landing Legs on rear under chassis for loadings

**PAINT and COLOR:**  
**First Step** : Sand Blasting all surface  
**First Layer** : Barrier™ 80 (%80 Zinc-Reach) Coating Double Times - C5 (ISO 12944-2)  
**Second Layer** : Epoxy Coating  
**Third Layer** : Brand Premium Acrylic Paint  
**Fourth Layer** : 2K Super Clear Coating for Protection and Shine (95-110 GU) 60 Degree  
 Color of the trailer will be RAL.....  
 On platform anti slip painting

**ACCESSORIES & OPTIONS:** Control Panel for lights and suspension, 2 x 7 Widening Brackets, 2 x Bike safety bar, Gooseneck completely with chequered steel, 14 x 10 tons chain rings, 14 x Chain Rings On Platform Sides, 1 Tool box on the gooseneck, 1 Toolbox On Right, 1 Toolbox on Left Side, Beech Tree Wood on platform, 45 Degrees on Gooseneck Corner, Galvanized Small Parts, Anti-Spray Mudguards, 2 x Wheel Wedges, Remote control hydraulic ramps and hydraulic landing gears

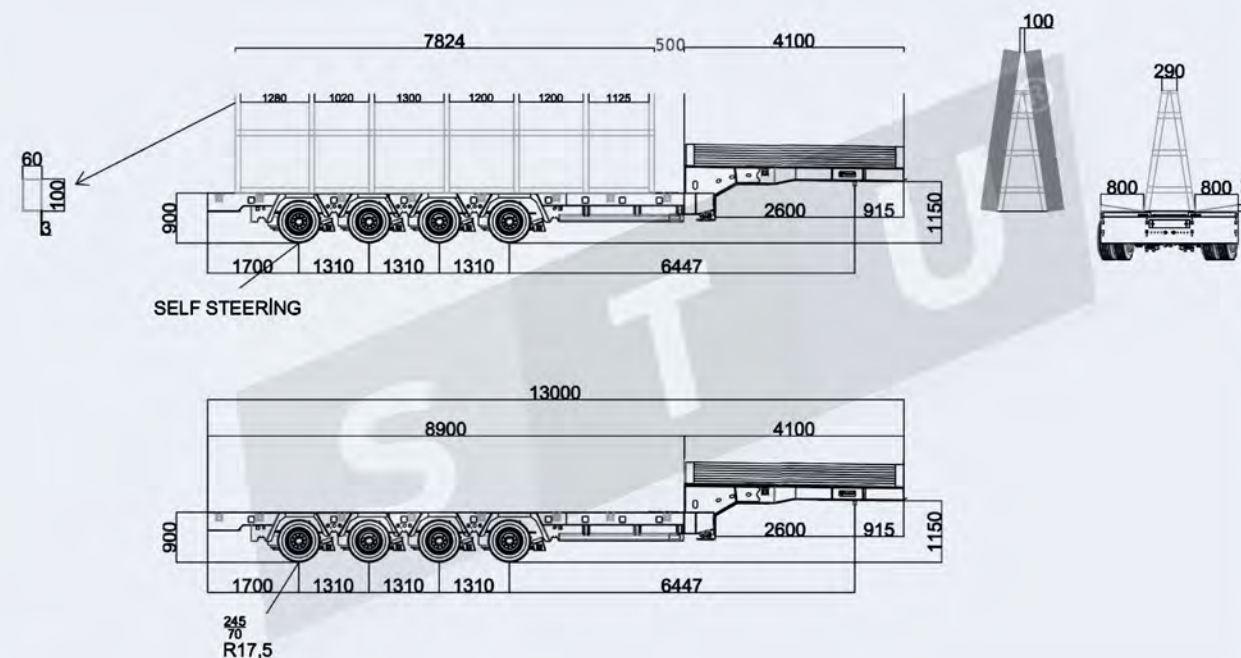
## DETAIL PICTURES



# WITH SUPERSTRUCTURE 4 AXLE LOWBED



## TECHNICAL DRAWING



## SPECIFICATIONS

**CHASSIS and STRUCTURE** : S355JS+N Steel grade or Strenx™ 700E ( MC700 ) and with last tech synergic automatic welding machines are using on our production.

**AXLE** : 4x12 Tons Capacity 17,5" Jumbo Axle, First Axle Lifiable, Last axle self steering.

**LOADING RAMP** : 2 x Hydraulic Ramp: moving outside 25 cm from outer of the lowbed, It's powered with and separate with power pack that connected to Truck battery

**SUSPENSION SYSTEM** : Air Suspension System or mechanic leaf spring suspensions.  
**TIRES AND RIMS** : 235/65 R17.5" or 245/70 R17.5" size 16 units tubeless tires

**ELECTRICAL SYSTEM** : Dynamic LED Light 24V electrical system  
4 x Red+White Expanding to Sides Heavy Loading Reflectors: Front and Back side  
6 x Led Working Lamps on right and left side and back side, 1 Emergency Turning Lamp

**BRAKE EQUIPMENT** : 4S-3M Knorr or Wabco Brand EBS system to be fitted on trailers  
KING PIN: DIN 74080 standards 2" or 3,5" king pin detachable from below made by SAE standards E certificate. (Extra one more spare part)

**PARKING LEGS** : Front Jack feet are telescopic, parallel working, double speed jointed with wide shoes static 50 tons, dynamic 25 tons capacity. Manual or Hydraulic Supporter Landing Legs on rear under chassis for loadings

**PAINT and COLOR:**  
**First Step** : Sand Blasting all surface  
**First Layer** : Barrier™ 80 (%80 Zinc-Reach) Coating Double Times - C5 (ISO 12944-2)  
**Second Layer** : Epoxy Coating  
**Third Layer** : Brand Premium Acrylic Paint  
**Fourth Layer** : 2K Super Clear Coating for Protection and Shine (95-110 GU) 60 Degree  
Color of the trailer will be RAL.....  
On platform anti slip painting

**ACCESSORIES & OPTIONS:** Control Panel for lights and suspension, 2 x 7 Widening Brackets, 2 x Bike safety bar, Gooseneck completely with chequered steel, 14 x 10 tons chain rings, 14 x Chain Rings On Platform Sides, 1 Tool box on the gooseneck, 1 Toolbox On Right, 1 Toolbox on Left Side, Beech Tree Wood on platform, 45 Degrees on Gooseneck Corner, Galvanized Small Parts, Anti-Spray Mudguards, 2 x Wheel Wedges, Remote control hydraulic ramps and hydraulic landing gears, Steel Superstructure for beton or glass loading in safe and transporting

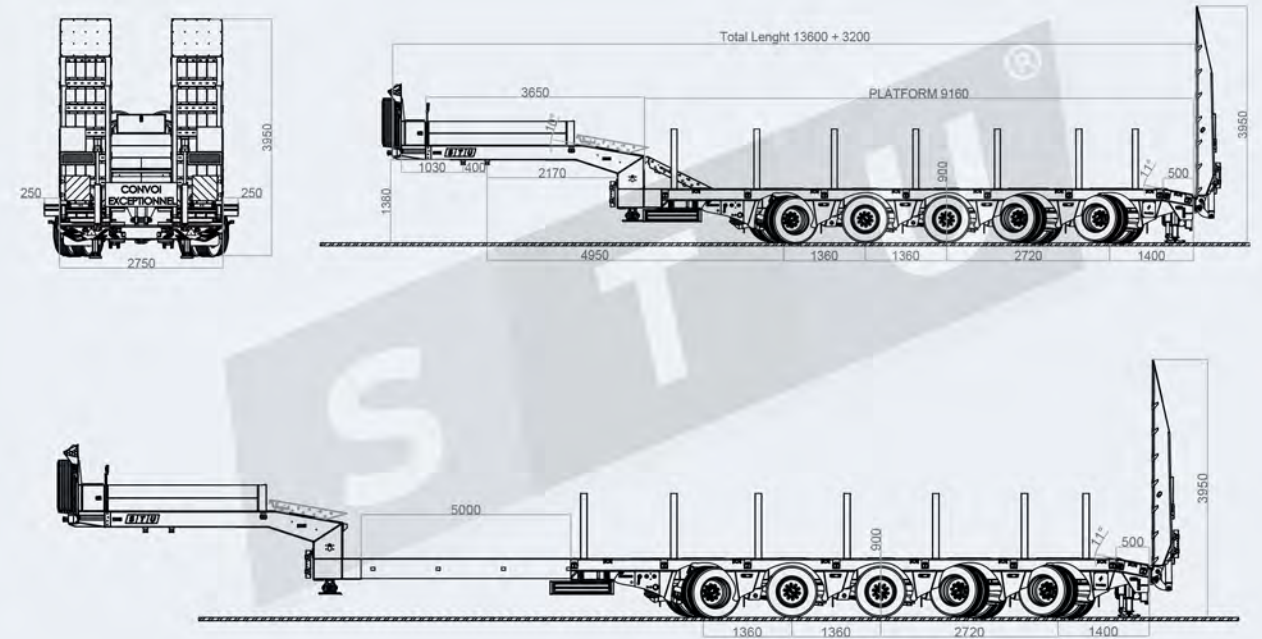
## DETAIL PICTURES



# WITH 3 SELF STEERING AXLE 5 AXLE LOWBED



## TECHNICAL DRAWING



## SPECIFICATIONS

**CHASSIS and STRUCTURE** : S355JS+N Steel grade or Strenx™ 700E ( MC700 ) and with last tech synergic automatic welding machines are using on our production.

**AXLE** : 5x12 Tons Capacity 17,5" Jumbo Axle, First Axle Lifiable, 1st., 4th. and 5th axle self steering

**LOADING RAMP** : 2 x Hydraulic Ramp: moving outside 25 cm from outer of the lowbed, It's powered with and separate with power pack that connected to Truck battery

**SUSPENSION SYSTEM** : Air Suspension System or mechanic leaf spring suspensions.  
**TIRES AND RIMS** : 235/65 R17.5" or 245/70 R17.5" size 20 units tubeless tires

**ELECTRICAL SYSTEM** : Dynamic LED Light 24V electrical system  
4 x Red+White Expanding to Sides Heavy Loading Reflectors: Front and Back side  
6 x Led Working Lamps on right and left side and back side, 1 Emergency Turning Lamp

**BRAKE EQUIPMENT** : 4S-3M Knorr or Wabco Brand EBS system to be fitted on trailers  
KING PIN: DIN 74080 standards 2" or 3,5" king pin detachable from below made by SAE standards E certificate.  
(Extra one more spare part)

**PARKING LEGS** : Front Jack feet are telescopic, parallel working, double speed jointed with wide shoes static 50 tons, dynamic 25 tons capacity. Manual or Hydraulic Supporter Landing Legs on rear under chassis for loadings

**PAINT and COLOR:**  
**First Step** : Sand Blasting all surface  
**First Layer** : Barrier™ 80 (%80 Zinc-Reach) Coating Double Times - C5 (ISO 12944-2)  
**Second Layer** : Epoxy Coating  
**Third Layer** : Brand Premium Acrylic Paint  
**Fourth Layer** : 2K Super Clear Coating for Protection and Shine (95-110 GU) 60 Degree  
Color of the trailer will be RAL.....  
On platform anti slip painting

**ACCESSORIES & OPTIONS:** Control Panel for lights and suspension, 2 x Widening Brackets, 2 x Bike safety bar, Gooseneck completely with chequered steel, 14 x 10 tons chain rings, 14 x Chain Rings On Platform Sides, 1 Tool box on the gooseneck, 1 Toolbox On Right, 1 Toolbox on Left Side, Beech Tree Wood on platform, 45 Degrees on Gooseneck Corner, Galvanized Small Parts, Anti-Spray Mudguards, 2 x Wheel Wedges, Remote control hydraulic ramps and hydraulic landing gears, Steel Superstructure for beton or glass loading in safe and transporting

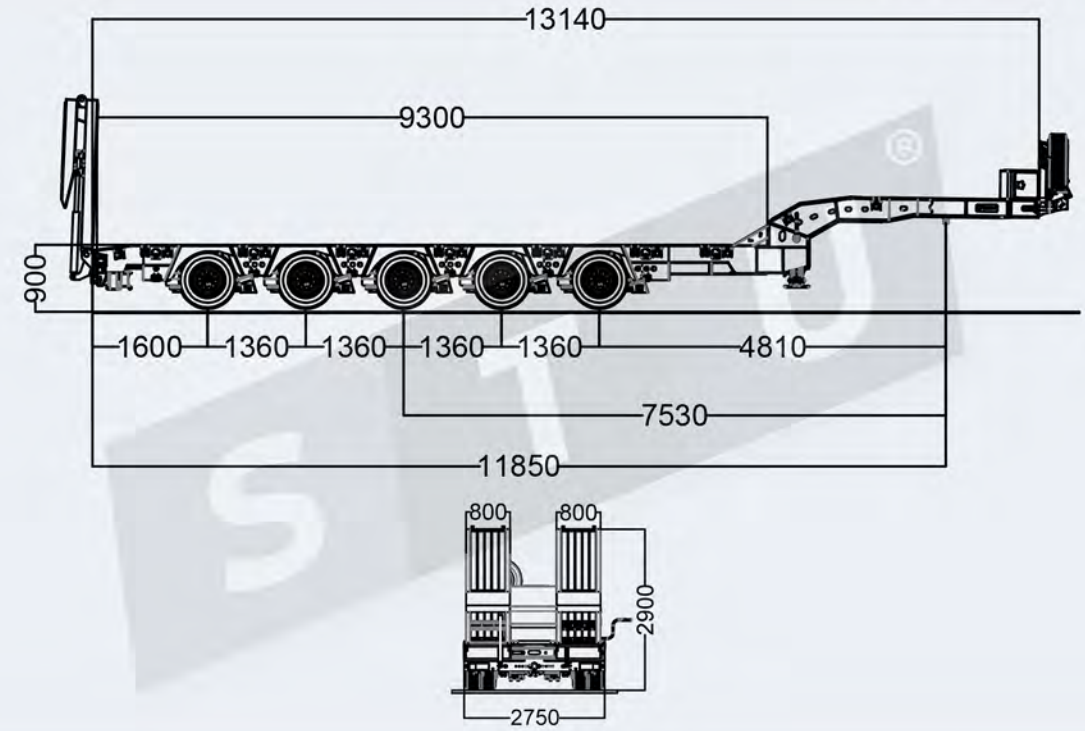
## DETAIL PICTURES



# 5 AXLE MECHANIC SUSPENSION LOWBED



TECHNICAL DRAWING



## SPECIFICATIONS

**CHASSIS and STRUCTURE** : S355JS+N Steel grade or Strenx™ 700E ( MC700 ) and with last tech synergic automatic welding machines are using on our production.

**AXLE** : 5x12 Tons Capacity 17,5" Jumbo Axle, First Axle Lifiable, Last axle self steering with mechanic suspension

**LOADING RAMP** : 2 x Hydraulic Ramp: moving outside 25 cm from outer of the lowbed, It's powered with and separate with power pack that connected to Truck battery

**SUSPENSION SYSTEM** : Air Suspension System or mechanic leaf spring suspensions.  
**TIRES AND RIMS** : 235/65 R17.5" or 245/70 R17.5" size 20 units tubeless tires

**ELECTRICAL SYSTEM** : Dynamic LED Light 24V electrical system  
4 x Red+White Expanding to Sides Heavy Loading Reflectors: Front and Back side  
6 x Led Working Lamps on right and left side and back side, 1 Emergency Turning Lamp

**BRAKE EQUIPMENT** : 4S-3M Knorr or Wabco Brand EBS system to be fitted on trailers  
KING PIN: DIN 74080 standards 2" or 3,5" king pin detachable from below made by SAE standards E certificate. (Extra one more spare part)

**PARKING LEGS** : Front Jack feet are telescopic, parallel working, double speed jointed with wide shoes static 50 tons, dynamic 25 tons capacity. Manual or Hydraulic Supporter Landing Legs on rear under chassis for loadings

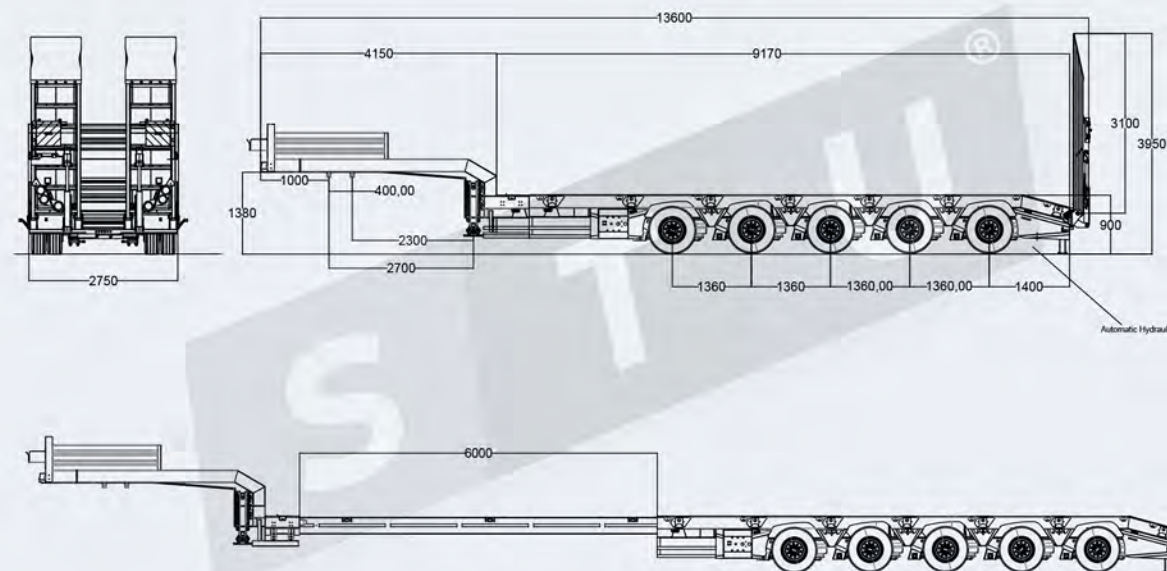
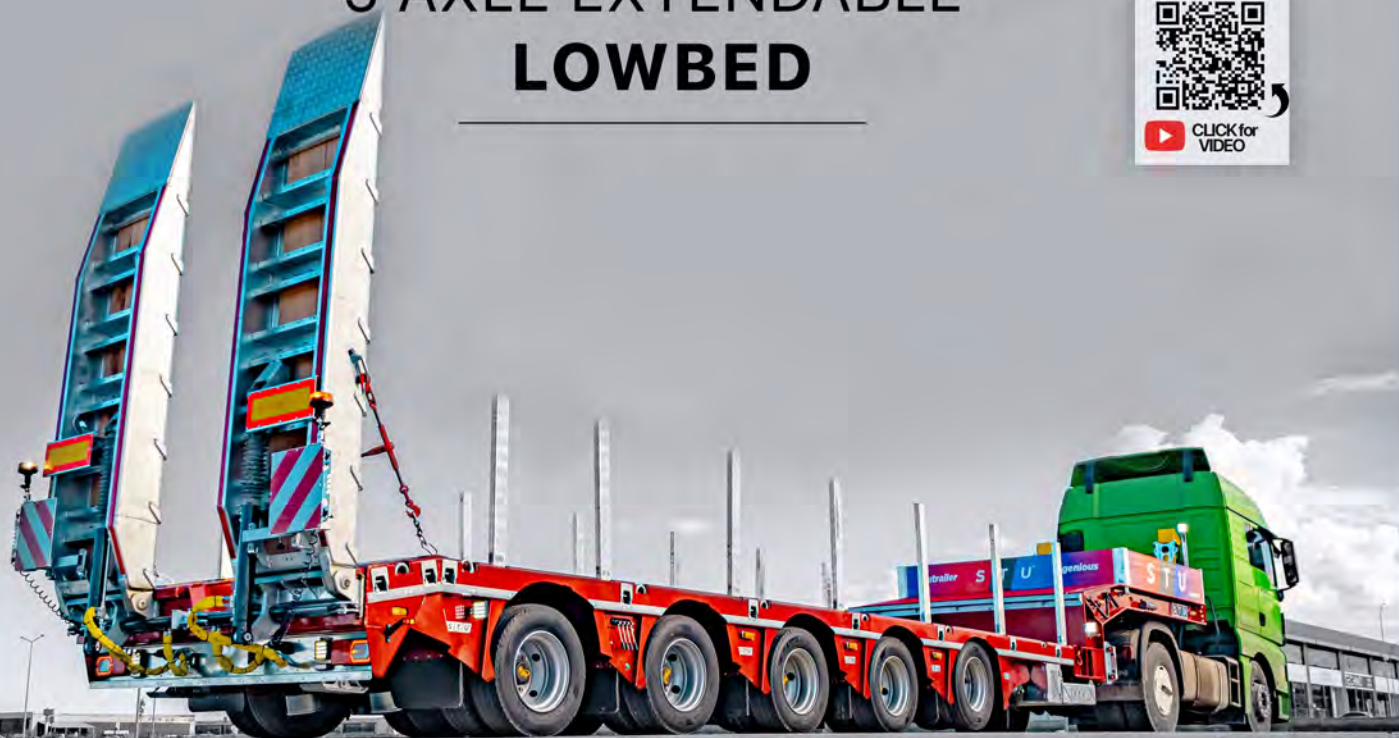
**PAINT and COLOR:**  
**First Step** : Sand Blasting all surface  
**First Layer** : Barrier™ 80 (%80 Zinc-Reach) Coating Double Times - C5 (ISO 12944-2)  
**Second Layer** : Epoxy Coating  
**Third Layer** : Brand Premium Acrylic Paint  
**Fourth Layer** : 2K Super Clear Coating for Protection and Shine (95-110 GU) 60 Degree  
Color of the trailer will be RAL.....  
On platform anti slip painting

**ACCESSORIES & OPTIONS:** Control Panel for lights and suspension, 2 x 7 Widening Brackets, 2 x Bike safety bar, Gooseneck completely with chequered steel, 14 x 10 tons chain rings, 14 x Chain Rings On Platform Sides, 1 Tool box on the gooseneck, 1 Toolbox On Right, 1 Toolbox on Left Side, Beech Tree Wood on platform, 45 Degrees on Gooseneck Corner, Galvanized Small Parts, Anti-Spray Mudguards, 2 x Wheel Wedges, Remote control hydraulic ramps and hydraulic landing gears, Steel Superstructure for beton or glass loading in safe and transporting

## DETAIL PICTURES



# 5 AXLE EXTENDABLE LOWBED



## SPECIFICATIONS

**CHASSIS and STRUCTURE :** S355JS+N Steel grade or Strenx™ 700E ( MC700 ) and with last tech synergic automatic welding machines are using on our production.

**AXLE :** 5x12 Tons Capacity 17,5" Jumbo Axle, First Axle Lifiable, Last axle self steering.

**LOADING RAMP :** 2 x Hydraulic Ramp: moving outside 25 cm from outer of the lowbed, It's powered with and separate with power pack that connected to Truck battery

**SUSPENSION SYSTEM :** Air Suspension System or mechanic leaf spring suspensions.

**TIRES AND RIMS :** 235/65 R17.5" or 245/70 R17.5" size 20 units tubeless tires

**ELECTRICAL SYSTEM :** Dynamic LED Light 24V electrical system  
 4 x Red+White Expanding to Sides Heavy Loading Reflectors: Front and Back side  
 6 x Led Working Lamps on right and left side and back side, 1 Emergency Turning Lamp

**BRAKE EQUIPMENT :** 4S-3M Knorr or Wabco Brand EBS system to be fitted on trailers

**KING PIN :** DIN 74080 standards 2" or 3,5" king pin detachable from below made by SAE standards E certificate. (Extra one more spare part)

**PARKING LEGS :** Front Jack feet are telescopic, parallel working, double speed jointed with wide shoes static 50 tons, dynamic 25 tons capacity. Manual or Hydraulic Supporter Landing Legs on rear under chassis for loadings

**PAINT and COLOR:**

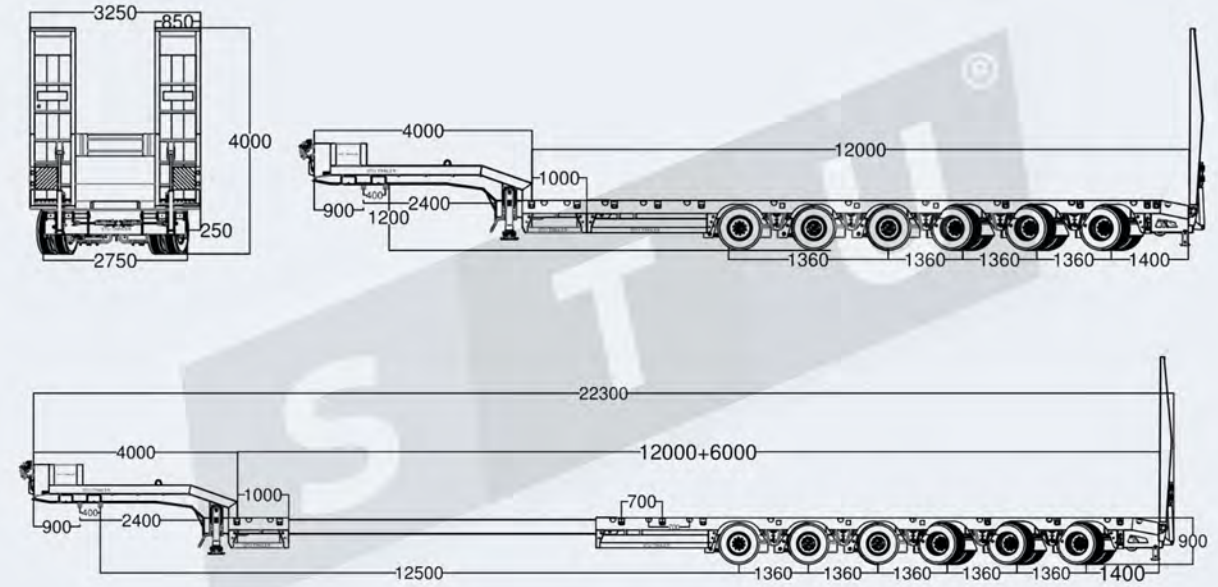
- First Step** : Sand Blasting all surface
  - First Layer** : Barrier™ 80 (%80 Zinc-Reach) Coating Double Times - C5 (ISO 12944-2)
  - Second Layer** : Epoxy Coating
  - Third Layer** : Brand Premium Acrylic Paint
  - Fourth Layer** : 2K Super Clear Coating for Protection and Shine (95-110 GU) 60 Degree
- Color of the trailer will be RAL.....  
 On platform anti slip painting

**ACCESSORIES & OPTIONS:** Control Panel for lights and suspension, 2 x 7 Widening Brackets, 2 x Bike safety bar, Gooseneck completely with chequered steel, 14 x 10 tons chain rings, 14 x Chain Rings On Platform Sides, 1 Tool box on the gooseneck, 1 Toolbox On Right, 1 Toolbox on Left Side, Beech Tree Wood on platform, 45 Degrees on Gooseneck Corner, Galvanized Small Parts, Anti-Spray Mudguards, 2 x Wheel Wedges, Remote control hydraulic ramps and hydraulic landing gears, Steel Superstructure for beton or glass loading in safe and transporting

## DETAIL PICTURES



# 6 AXLE EXTENDABLE LOWBED



## SPECIFICATIONS

**CHASSIS and STRUCTURE** : S355JS+N Steel grade or Strenx™ 700E ( MC700 ) and with last tech synergic automatic welding machines are using on our production.

**AXLE** : 6x12 Tons Capacity 17,5" Jumbo Axle, First Axle Lifiable, Last axle self steering.

**LOADING RAMP** : 2 x Hydraulic Ramp: moving outside 25 cm from outer of the lowbed, It's powered with and separate with power pack that connected to Truck battery

**SUSPENSION SYSTEM** : Air Suspension System or mechanic leaf spring suspensions.  
**TIRES AND RIMS** : 235/65 R17.5" or 245/70 R17.5" size 24 units tubeless tires

**ELECTRICAL SYSTEM** : Dynamic LED Light 24V electrical system  
4 x Red+White Expanding to Sides Heavy Loading Reflectors: Front and Back side  
6 x Led Working Lamps on right and left side and back side, 1 Emergency Turning Lamp

**BRAKE EQUIPMENT** : 4S-3M Knorr or Wabco Brand EBS system to be fitted on trailers  
KING PIN: DIN 74080 standards 2" or 3,5" king pin detachable from below made by SAE standards E certificate. (Extra one more spare part)

**PARKING LEGS**: Front Jack feet are telescopic, parallel working, double speed jointed with wide shoes static 50 tons, dynamic 25 tons capacity. Manual or Hydraulic Supporter Landing Legs on rear under chassis for loadings

**PAINT and COLOR:**  
**First Step** : Sand Blasting all surface  
**First Layer** : Barrier™ 80 (%80 Zinc-Reach) Coating Double Times - C5 (ISO 12944-2)  
**Second Layer** : Epoxy Coating  
**Third Layer** : Brand Premium Acrylic Paint  
**Fourth Layer** : 2K Super Clear Coating for Protection and Shine (95-110 GU) 60 Degree  
Color of the trailer will be RAL.....  
On platform anti slip painting

**ACCESSORIES & OPTIONS**: Control Panel for lights and suspension, 2 x 7 Widening Brackets, 2 x Bike safety bar, Gooseneck completely with chequered steel, 14 x 10 tons chain rings, 14 x Chain Rings On Platform Sides, 1 Tool box on the gooseneck, 1 Toolbox On Right, 1 Toolbox on Left Side, Beech Tree Wood on platform, 45 Degrees on Gooseneck Corner, Galvanized Small Parts, Anti-Spray Mudguards, 2 x Wheel Wedges, Remote control hydraulic ramps and hydraulic landing gears, Steel Superstructure for beton or glass loading in safe and transporting

## DETAIL PICTURES





[www.stustrailers.com](http://www.stustrailers.com)

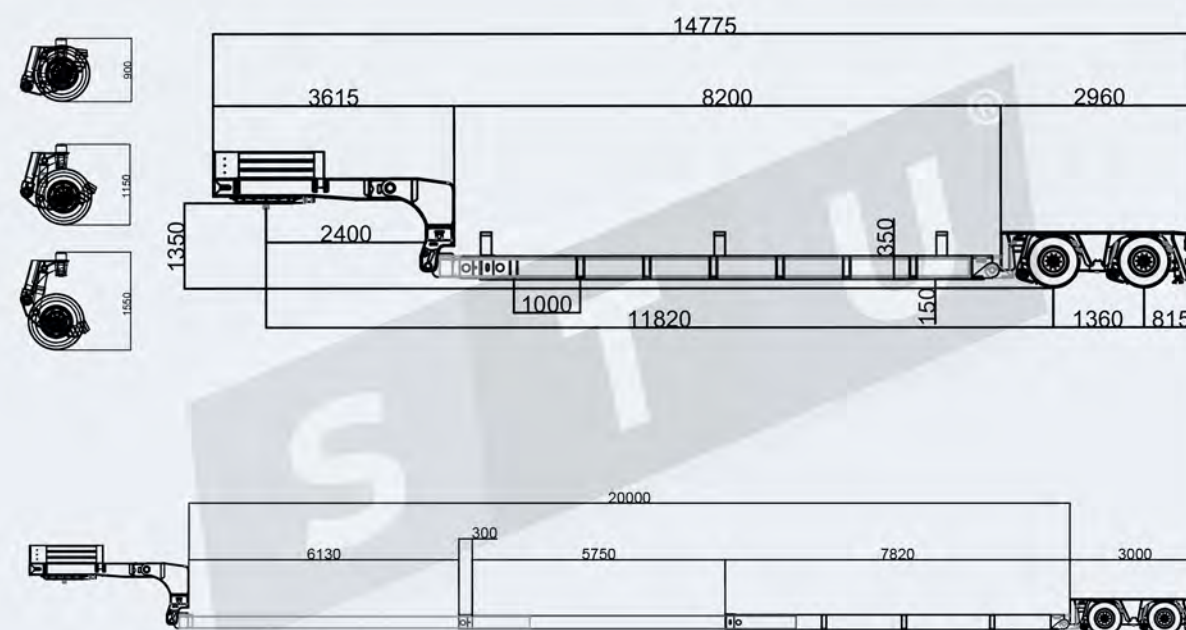


# HYDRAULIC STEERING LOW LOADER TRAILER

# 2 PENDULAR AXLE DOUBLE EXTENDABLE LOW LOADER



## TECHNICAL DRAWING



## SPECIFICATIONS

### GENERAL DETAILS:

Speed	: 80KM/H
Total Gross Weight	: 54.800 KGS
Kingpin Weigh	: 24.000 KGS
Total Axle Weigh	: 30.800 KGS
Empty Weight of Lowbed	: 16.500 KGS - ±%3
Legal Loading Cap.	: 38.300 KGS - ±%3

### GOOSENECK:

King pin load technical	: 24.000 kg
For Truck	: Suitable with 6x2 - 6x4 - Short 8x4

**CHASSIS:** Completely S355JR + S700MC strength steel welded with robotic arc welding machine high tension production. On platform every 50cm width extension bars.

**AXLES:** 4 x 7.700 Kgs Capacity - GIGANT Brand Axles, All Axles are automatic hydraulic steering  
4 x High Capacity hydraulic suspension cylinders, 4 x 24/30 emergency brake chambers, Drum Brake System, 4 x automatic slack adjuster, Hydraulic Steering System, Emergency Brake, Load Arrangement Ventil,

**BRAKE:** Wabco 4s-3m EBS Brake System, Drum brake System, Emergency Brake System, Loading Settings Ventile,

### REMOTE CONTROL FUNCTIONS:

Remote control for hydraulic steering, Turns to axles right and left, Zero Position for axles

### TYRES:

8 + 1 Tyres 265/70 R19,5 (J Type) Fulda or Pirelli or Starmaxx Brand  
8 + 1 Pcs 19,5" Rims

### ACCESSORIES:

- 8 x Red+White Expanding to Sides Heavy Loading Reflectors: Front and Back side red+White
- At back side of plate there will be 1 electrical sockets and lamp brackets to use turning lamps
- Detachable Container Locks for 1x40 feet and 2x20 feet containers,
- 18 Units x 2500 mm ( 2 Pieces in 1 Unit interlocking ) Side bars and holes / Fixing Bars
- 4 Pieces tables with 50x100mm Bar Hole inside of extension arms
- 16 Tonnes chain lashing rings sides, 2 pcs of warning turning lamps, Fire box, Wheel chock, Load lashing rings.
- Front Ramp for loading with wheel
- 1 x Spare Reciever + 1 x Spare Remote Control
- All woods will be beech tree ( Tropical )
- All hydraulic connections will be with Faster Brand easy connection.

## DETAIL PICTURES





# 2 AXLE DOUBLE EXTENDABLE LOW LOADER

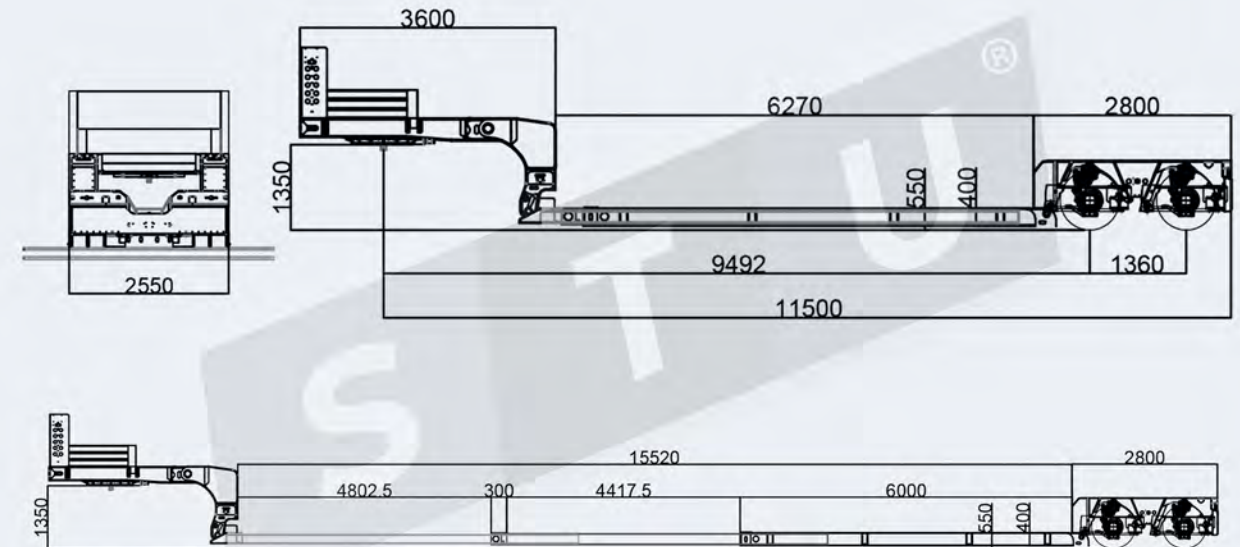


**HYDRAULIC STEERING**

## DETAIL PICTURES



## TECHNICAL DRAWING



## SPECIFICATIONS

### GENERAL DETAILS:

Legal loading capacity	: 36.000 Kgs ( With Trailer Weight )
King Pin Loading Capacity	: 24.000 Kgs.
Total Length in open position	: 12.700 mm ( 6.800mm + 5.500mm ) + 2800mm Axles area
Width	: 2.550 mm + (25 cm Right and Left Flags Expanders)
Platform Length	: 6.800 mm
Hydraulic Gooseneck Length	: 3.100 mm
Dead Weight (approximately)	: 13.000 Kg ( ± %3)

### GOOSENECK:

King pin load technical	: 24.000 kg
For Truck	: Suitable with 6x2 - 6x4 - Short 8x4

**CHASSIS:** Completely S355JR + S700MC strength steel welded with robotic arc welding machine high tension production. On platform every 50cm width extension bars.

### AXLES:

Trax Brand Axles  
2 x 9 Tonnes Axles, All Axles are automatic hydraulic steering  
High Capacity air suspension balloons  
2 x 24 brake chamber, 2 x 24/30 emergency brake chambers  
4 x automatic slack adjuster, Rexroth Hydraulic Steering System,

**BRAKE:** Drum brake System, Emergency Brake System  
Loading Settings Ventile, Wabco Double Line EBS

### REMOTE CONTROL FUNCTIONS:

Remote control hydraulic steering, Set up gooseneck lifting,  
Set up platform lifting, Turns to axles right and left

### TYRES:

8 Pcs Tyres 245/65 R17,5 ( J )  
8 Pcs 17,5" Rims

### ACCESSORIES:

At the front of lowbed, back side of red+White reflector  
"Convoi Exceptionnel" plate will be at back side at lowbed plate  
At back side of plate there will be 2 electrical sockets and lamp brackets to use turning lamps  
Detachable Container Locks for 40 feet and 20 feet containers  
2 x Long vehicle warning plates with LED lamps  
1 pcs of 3,5 inch king pin, 16 Tonnes chain lashing rings sides  
4 pcs of warning turning lamps

### ELECTRICAL SYSTEM:

Dasteri brand electrical system suitable for EU regulation  
24 V, ABS jack, 2 pcs 7 function stop lamp, 2 pcs plate lamp, Side lamps

[sales@stutrailer.com](mailto:sales@stutrailer.com)

[www.stutrailers.com](http://www.stutrailers.com)

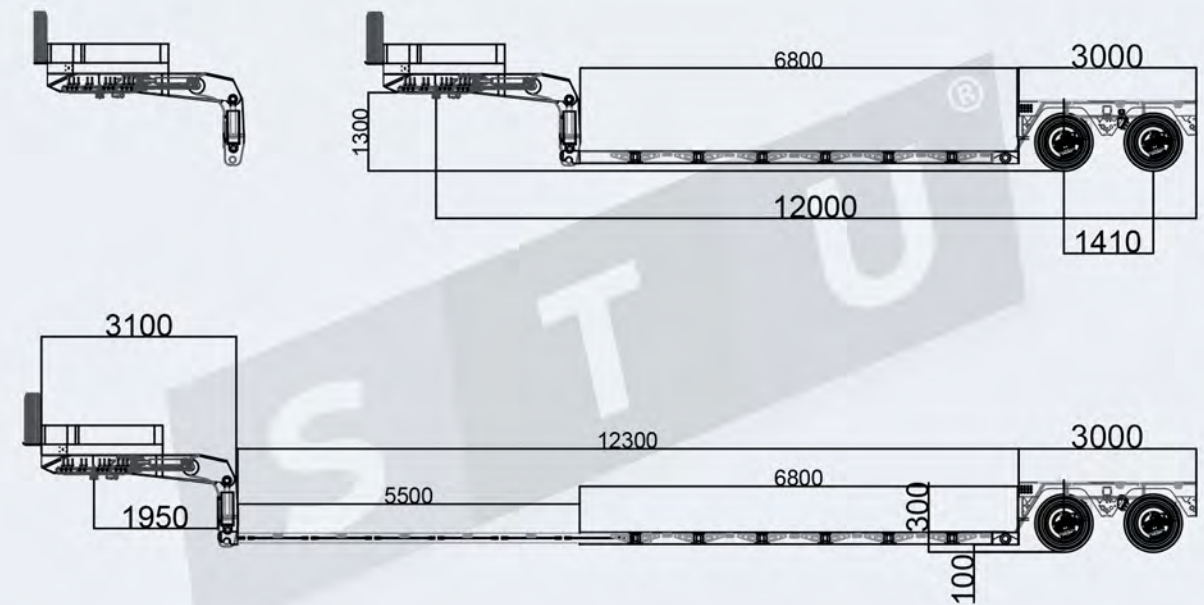
# 2 AXLE EXTENDABLE LOW LOADER



CLICK for VIDEO

HYDRAULIC STEERING

## TECHNICAL DRAWING



## SPECIFICATIONS

### GENERAL DETAILS:

Legal loading capacity : 36.000 Kgs ( With Trailer Weight )  
 King Pin Loading Capacity : 24.000 Kgs.  
 Total Length in open position : 12.700 mm ( 6.800mm ) + 2800mm Axles area  
 Width : 2.550 mm + (25 cm Right and Left Flags Expanders)  
 Platform Length : 6.800 mm  
 Hydraulic Gooseneck Length : 3.100 mm  
 Dead Weight (approximately) : 13.000 Kg ( ± %3)

### GOOSENECK:

King pin load technical : 24.000 kg  
 For Truck : Suitable with 6x2 - 6x4 - Short 8x4

**CHASSIS :** Chassis: Completely S355JR + S700MC strength steel welded with robotic arc welding machine high tension production. On platform every 50cm width extension bars.

### AXLES :

Trax Brand Axles  
 2 x 9 Tonnes Axles, All Axles are automatic hydraulic steering  
 High Capacity air suspension balloons  
 2 x 24 brake chamber, 2 x 24/30 emergency brake chambers  
 4 x automatic slack adjuster, Rexroth Hydraulic Steering System,

**BRAKE :** Drum brake System, Emergency Brake System  
 Loading Settings Ventile, Wabco Double Line EBS

### REMOTE CONTROL FUNCTIONS:

Remote control hydraulic steering, Set up gooseneck lifting,  
 Set up platform lifting, Turns to axles right and left

### TYRES:

8 Pcs Tyres 245/65 R17,5 ( J )  
 8 Pcs 17,5" Rims

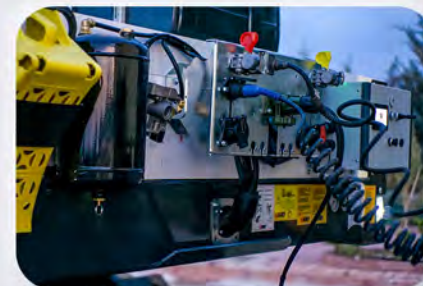
### ACCESSORIES:

At the front of lowbed, back side of red+White reflector  
 "Convoi Exceptionnel " plate will be at back side at lowbed plate  
 At back side of plate there will be 2 electrical sockets and lamp brackets to use turning lamps  
 Detachable Container Locks for 40 feet and 20 feet containers  
 2 x Long vehicle warning plates with LED lamps  
 1 pcs of 3,5 inch king pin, 16 Tonnes chain lashing rings sides  
 4 pcs of warning turning lamps

### ELECTRICAL SYSTEM:

Dasteri brand electrical system suitable for EU regulation  
 24 V, ABS jack, 2 pcs 7 function stop lamp, 2 pcs plate lamp, Side lamps

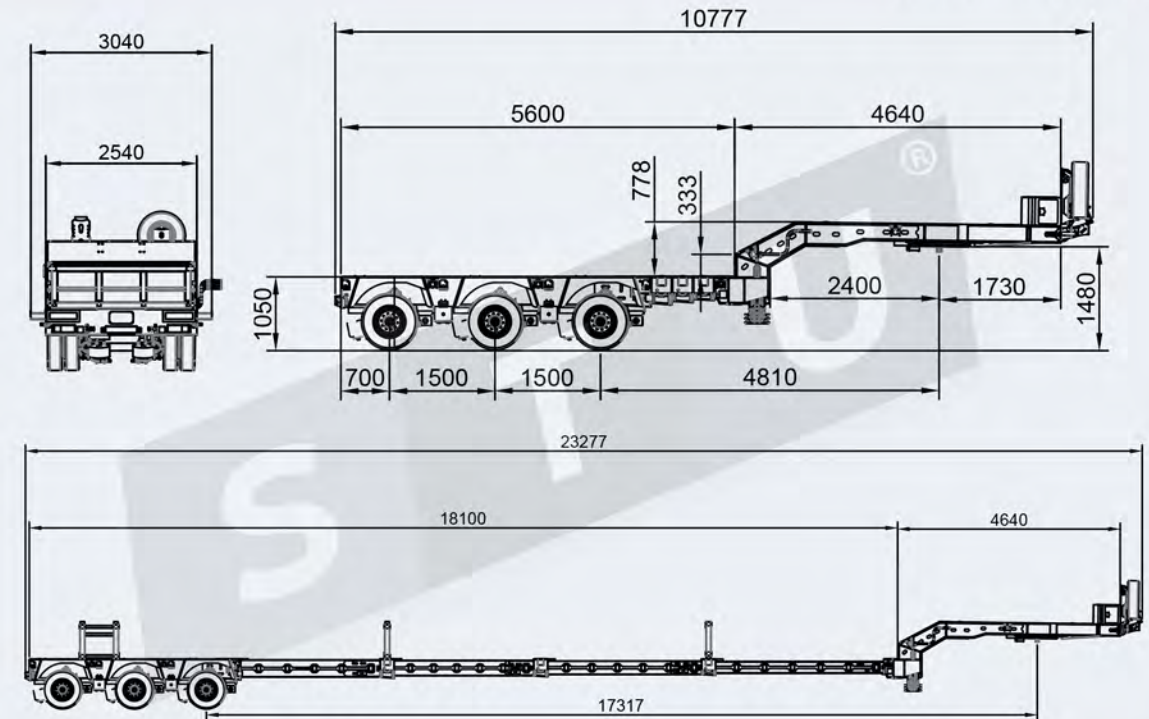
## DETAIL PICTURES



# 3 AXLE TRIPLE EXTENSIONS LOW LOADER



## TECHNICAL DRAWING



## SPECIFICATIONS

### GENERAL DETAILS:

Speed	: 80 KM/H
Total Gross Weight	: 60.000 KGS
Kingpin Weight	: 24.000 KGS
Total Axle Weight	: 33.000 KGS
Empty Weight of Lowbed	: 15.000 KGS
Legal Loading Cap.	: 45.000 KGS
Gooseneck Length	: ±4.640 mm
Gooseneck Turning Distance	: ±2.400 mm
Fifth Wheel Height	: ±1.480 mm
Air Suspension	: ±55 / -125 mm STRONG
Total Width	: ± 2.550 mm

### GOOSENECK

King pin load technical : 24.000 kg

### LOADING PLATFORM:

Chassis : Completely S355JR strength steel welded with robotic arc welding machine high tension production, extension parts will be made with MC700 and S960QL steel grade.

Loading platform length	: ± 5.600 mm ±%3
Extended total length	: ± 22.740 mm
Loading platform manual extended width	: ± Right: 250mm / Left: 250mm
± 150mm bumper corner to optimize rear swin	

### AXLES : GIGANT Drum Brand Axles

3 x 12 Tonnes Hydraulic Steering Axles  
Lifting / Landing Valves with Air suspension  
6 x High Capacity air suspension balloons  
2 x 24 brake chamber, 4 x 24/30 emergency brake chambers  
6 x automatic slack adjuster, Drum Brake System

**BRAKE :** Drum brake System, Emergency Brake System  
Wabco Double Line EBS

### REMOTE CONTROL FUNCTIONS:

Remote Wireless control hydraulic steering,  
Set up platform lifting, Turns to axles right and left

### TYRES:

12 Pcs Tyres 235/75 R17.5 (J) twin tyres  
Load Index 143J 6 Pcs 17,5" Rims

### ACCESSORIES:

4 x Red+White Expanding to Sides Heavy Loading Reflectors: Front and Back side  
2 x Long vehicle warning plates with LED lamps  
2 x Led Working Lamps on right and left side  
2 x Led Working Lamps on back side  
2 pcs of warning turning lamps at rear, Fire box, Wheel chock,  
Galvanized load supporters  
And lashing rings (16 Tons Capacity) Also placed equally with 800mm between each one on platform and gooseneck.  
Nails at the rear side of lowbed for Alu ramps , 6 x Container Twist Locks

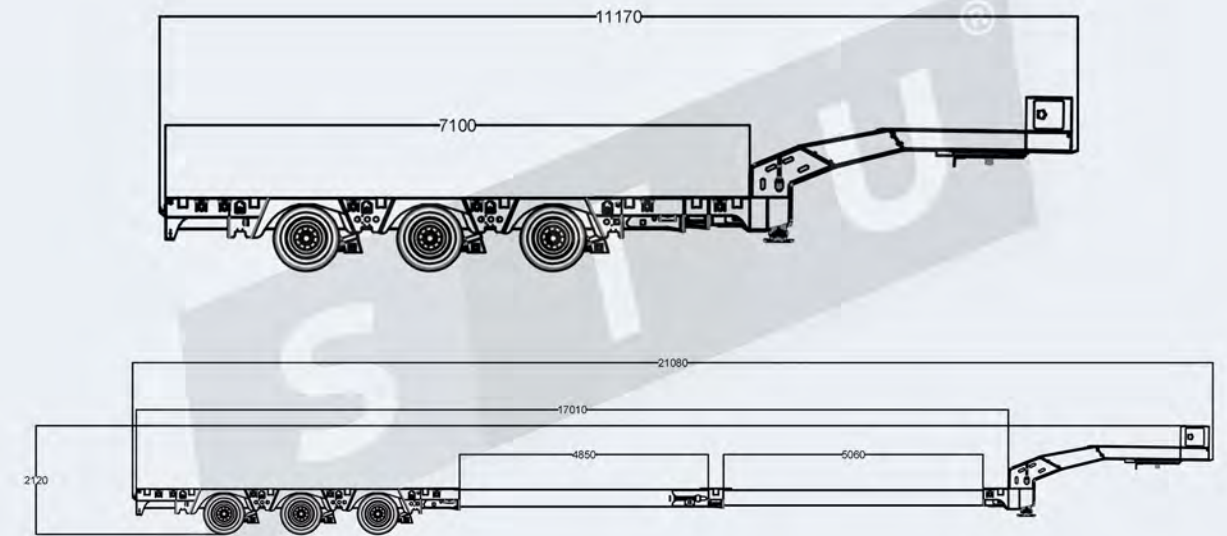
## DETAIL PICTURES



# 3 AXLE DOUBLE EXTENDABLE LOW LOADER



TECHNICAL DRAWING



SPECIFICATIONS

**GENERAL DETAILS:**

Speed	: 70KM/H
Total Gross Weisght	: 54.000 KGS
Kingpin Weigh	: 18.000 KGS
Total Axle Weigh	: 36.000 KGS
Empty Weight of Lowbed	: 12.500 KGS
Legal Loading Cap.	: 41.500 KGS
Gooseneck Lenght	: ±3,940 mm
Gooseneck Turning Distance	: ±2.350 mm
Fifth Wheel Height	: ±1,400 mm
Total Width	: ± 2.550 mm

**GOOSENECK**

King pin load technical	: 18.000 kg
For Truck	: 6x2

**LOADING PLATFORM:**

**Chassis** : Completely S355JR and MC700 Level Steel strength steel welded with robotic arc welding machine high tension production .

Loading platform length	: ± 7.100 mm
Extended total lenght	: ± 17.000 mm
Loading platform manual extended width	: ± Right: 250mm / Left 250mm
± 150mm bumper corner to optimize rear swing	

**AXLES** : 3 x 12 Tonnes Hydraulic Steering Trax Brand Axles,  
Lifting / Landing Valves with Air suspension  
6 x High Capacity air suspension pillows  
Emergency Brake System, Load Arranging Ventile

**BRAKE** : Drum brake System, Emergency Brake System  
Wabco Brake System, EBS-E SYSTEM ( Without connection cable with truck )

**REMOTE CONTROL FUNCTIONS:**

Remote control hydraulic steering, Set up gooseneck lifting,  
Set up platform lifting, Turns to axles right and left

**TYRES :**

6 Pcs Tyres 205/65/17.5 ( J ) twin tyres  
Load Index129/127 6 Pcs 17,5" Rims

**ACCESSORIES :**

4 x Red+White Expanding to Sides Heavy Loading Reflectors: Front and Back side red+White  
2 x Long vehicle warning plates with LED lamps  
2 pcs of warning turning lamps AT REAR, Fire box, Wheel chock,  
Galvanized sticks with dimension 50x100x1000mm,  
And lashing rings ( 5 Tons ) Also placed equally with 1000mm between.  
Nail on rear for ALuminium Ramps  
12 pieces load fixing galvanized holders with 10 and 20 angle

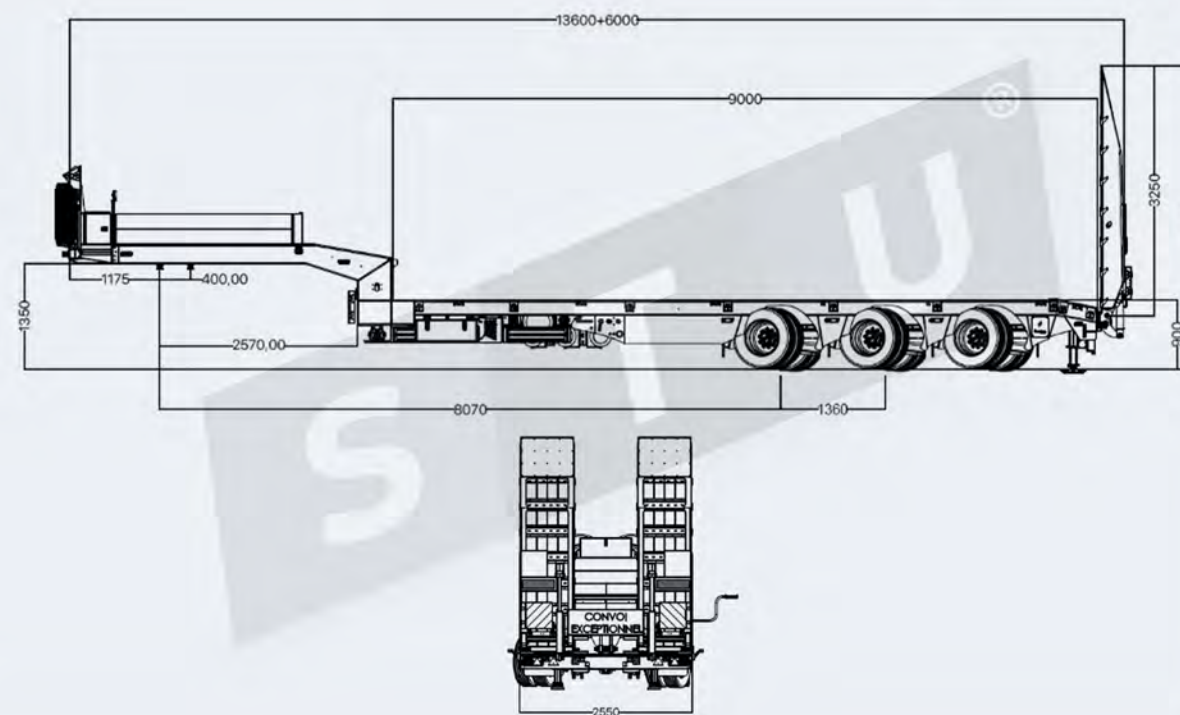
DETAIL PICTURES



# 3 AXLE LOW LOADER



## TECHNICAL DRAWING



## SPECIFICATIONS

**CHASSIS:** Completely S700MC+QL690 strength steel welded with robotic arc welding machine high tension production.

**King pin load technical** : 24.000 kg  
**For Truck** : 4x2 - 6x2 - 6x4

**AXLES:** 3 x 12 Tonnes Trax Brand Axles, All Axles are automatic hydraulic steering  
 High Capacity air suspension balloons, 2 x 24 brake chamber, 4 x 24/30 emergency brake chambers  
 4 x automatic slack adjuster, Hydraulic Steering System manually and with remote control system

**BRAKE:** Drum brake System, Emergency Brake System, Loading Settings Ventile, Wabco 4S-3M EBS

**REMOTE CONTROL FUNCTIONS:**  
 Remote control for hydraulic steering and set up gooseneck lifting,  
 Set up platform lifting, Turns to axles right and left  
 Set up load sensing valves, Width extension locking, Axles Lifting Settings

**TYRES:**  
 12 Pcs Tyres 235 /70r 17,5 " or 245/65 R17,5 ( J )  
 12 Pcs 17,5" Rims

**ACCESSORIES & OPTIONS:**  
 8 x Red+White Expanding to Sides Heavy Loading Reflectors: Front and Back side red+White  
 At the front of lowbed, back side of red+White reflector , At back side of plate there will be 2 electrical sockets and lamp brackets to use turning lamps, 2 x Long vehicle warning plates with LED lamps, 10 Tonnes chain lashing rings, 2 pcs of warning turning lamps, SKF Automatic Greasing Unit

**ELECTRICAL SYSTEM:**  
 Dasteri brand electrical system suitable for EU regulation, 24 V, ABS jack, 2 pcs 7 function stop lamp, 2 pcs plate lamp, Side lamps, Reflectors,

**PAINT and COLOR:**  
**First Step** : Sand Blasting all surface  
**First Layer** : Barrier™ 80 (%80 Zinc-Reach) Coating Double Times - C5 (ISO 12944-2)  
**Second Layer** : Epoxy Coating  
**Third Layer** : Brand Premium Acrylic Paint  
**Fourth Layer** : 2K Super Clear Coating for Protection and Shine (95-110 GU) 60 Degree  
 Color of the trailer will be RAL.....  
 On platform anti slip painting

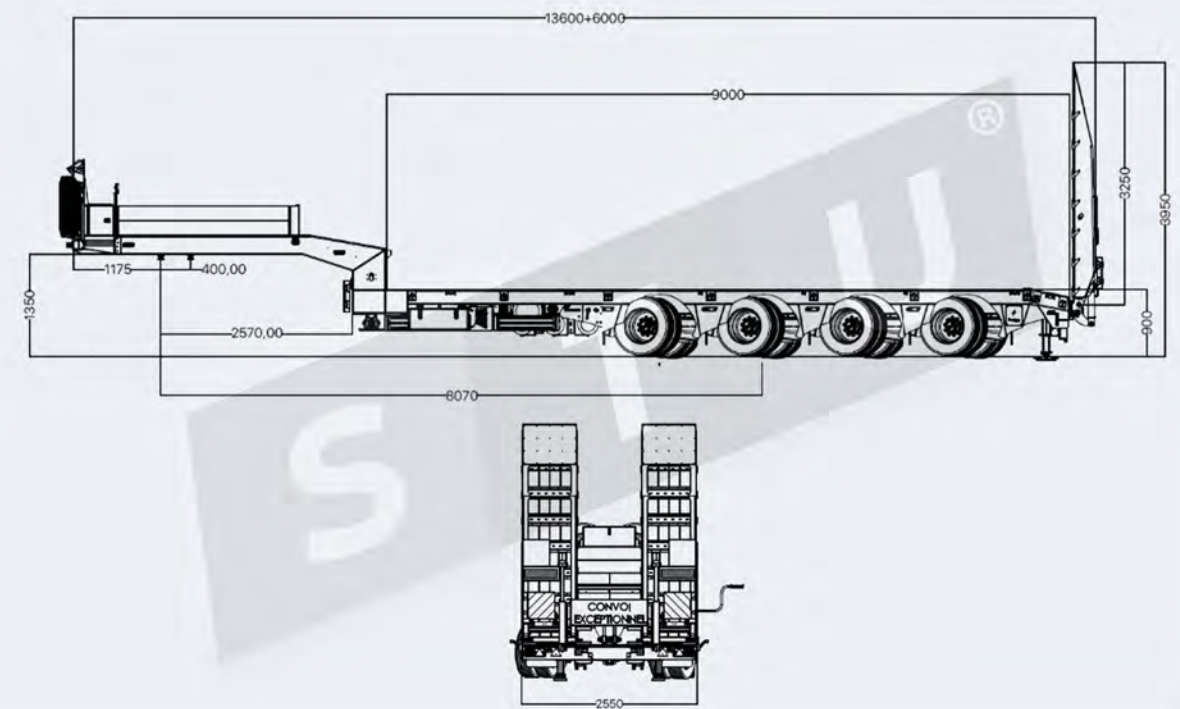
## DETAIL PICTURES



# 4 AXLE LOW LOADER



## TECHNICAL DRAWING



## SPECIFICATIONS

**CHASSIS:** Completely S700MC+QL690 strength steel welded with robotic arc welding machine high tension production.

**King pin load technical :** 24.000 kg  
**For Truck :** 4x2 - 6x2 - 6x4

**AXLES:** 4 x 12 Tonnes Trax Brand Axles, All Axles are automatic hydraulic steering  
 High Capacity air suspension balloons, 2 x 24 brake chamber, 4 x 24/30 emergency brake chambers  
 4 x automatic slack adjuster, Hydraulic Steering System manually and with remote control system

**BRAKE:** Drum brake System, Emergency Brake System, Loading Settings Ventile, Wabco 4S-3M EBS

**REMOTE CONTROL FUNCTIONS:**  
 Remote control for hydraulic steering and set up gooseneck lifting,  
 Set up platform lifting, Turns to axles right and left  
 Set up load sensing valves, Width extension locking, Axles Lifting Settings

**TYRES:**  
 16 Pcs Tyres 235 /70r 17,5 " or 245/65 R17,5 ( J )  
 16 Pcs 17,5" Rims

**ACCESSORIES & OPTIONS:**  
 8 x Red+White Expanding to Sides Heavy Loading Reflectors: Front and Back side red+White  
 At the front of lowbed, back side of red+White reflector , At back side of plate there will be 2 electrical sockets and lamp brackets to use turning lamps, 2 x Long vehicle warning plates with LED lamps, 10 Tonnes chain lashing rings, 2 pcs of warning turning lamps, SKF Automatic Greasing Unit

**ELECTRICAL SYSTEM:**  
 Dasteri brand electrical system suitable for EU regulation, 24 V, ABS jack, 2 pcs 7 function stop lamp, 2 pcs plate lamp, Side lamps, Reflectors,

**PAINT and COLOR:**  
**First Step** : Sand Blasting all surface  
**First Layer** : Barrier™ 80 (%80 Zinc-Reach) Coating Double Times - C5 (ISO 12944-2)  
**Second Layer** : Epoxy Coating  
**Third Layer** : Brand Premium Acrylic Paint  
**Fourth Layer** : 2K Super Clear Coating for Protection and Shine (95-110 GU) 60 Degree  
 Color of the trailer will be RAL.....  
 On platform anti slip painting

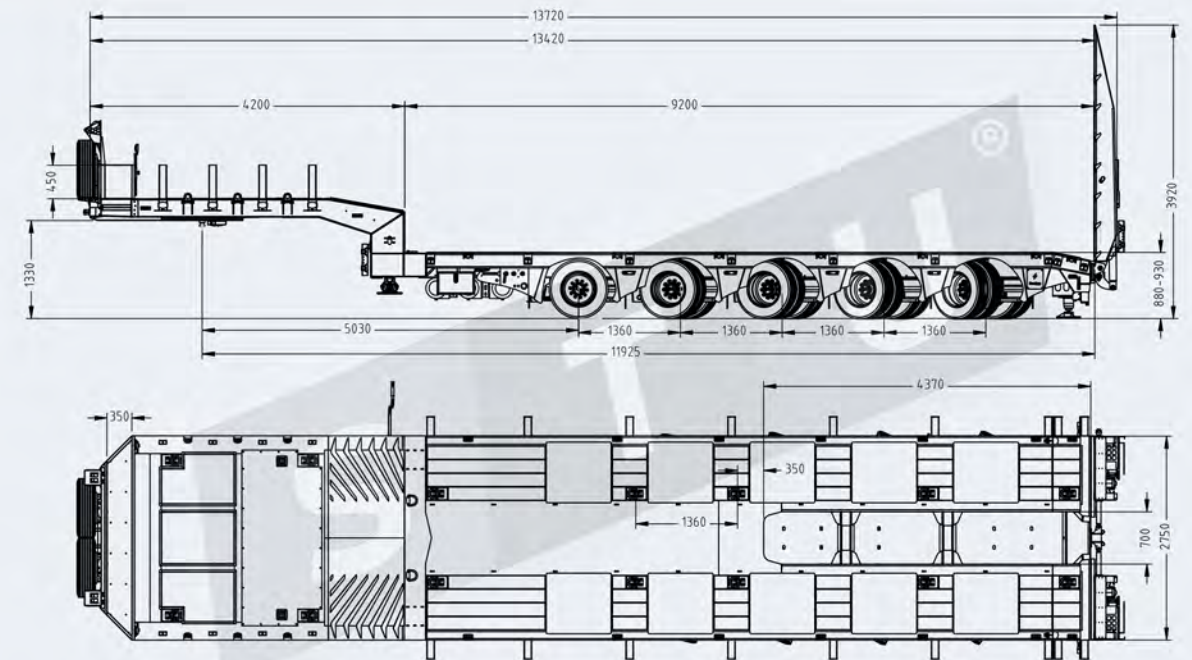
## DETAIL PICTURES



# 5 AXLE LOW LOADER



## TECHNICAL DRAWING



## SPECIFICATIONS

**CHASSIS:** Completely S700MC+QL690 strength steel welded with robotic arc welding machine high tension production.

**King pin load technical** : 24.000 kg  
**For Truck** : 4x2 - 6x2 - 6x4

**AXLES:** 5 x 12 Tonnes Trax Brand Axles, All Axles are automatic hydraulic steering  
 High Capacity air suspension balloons  
 Hydraulic Steering System manually and with remote control system

**BRAKE:** Drum brake System, Emergency Brake System, Loading Settings Ventile, Wabco 4S-3M EBS

**REMOTE CONTROL FUNCTIONS:**  
 Remote control for hydraulic steering and set up gooseneck lifting,  
 Set up platform lifting, Turns to axles right and left  
 Set up load sensing valves, Width extension locking, Axles Lifting Settings  
 Without remote control driver may manage on PLC Screen on front of gooseneck.

**TYRES:**  
 20 Pcs Tyres 235 /70r 17,5 " or 245/65 R17,5 ( J )  
 20 Pcs 17,5" Rims

**ACCESSORIES & OPTIONS:**  
 8 x Red+White Expanding to Sides Heavy Loading Reflectors: Front and Back side red+White  
 At the front of lowbed, back side of red+White reflector , At back side of plate there will be 2 electrical sockets and lamp brackets to use turning lamps, 2 x Long vehicle warning plates with LED lamps, 10 Tonnes chain lashing rings, 2 pcs of warning turning lamps, SKF Automatic Greasing Unit

**ELECTRICAL SYSTEM:**  
 Dasteri brand electrical system suitable for EU regulation, 24 V, ABS jack, 2 pcs 7 function stop lamp, 2 pcs plate lamp, Side lamps, Reflectors,

**PAINT and COLOR:**  
**First Step** : Sand Blasting all surface  
**First Layer** : Barrier™ 80 (%80 Zinc-Reach) Coating Double Times - C5 (ISO 12944-2)  
**Second Layer** : Epoxy Coating  
**Third Layer** : Brand Premium Acrylic Paint  
**Fourth Layer** : 2K Super Clear Coating for Protection and Shine (95-110 GU) 60 Degree  
 Color of the trailer will be RAL.....  
 On platform anti slip painting

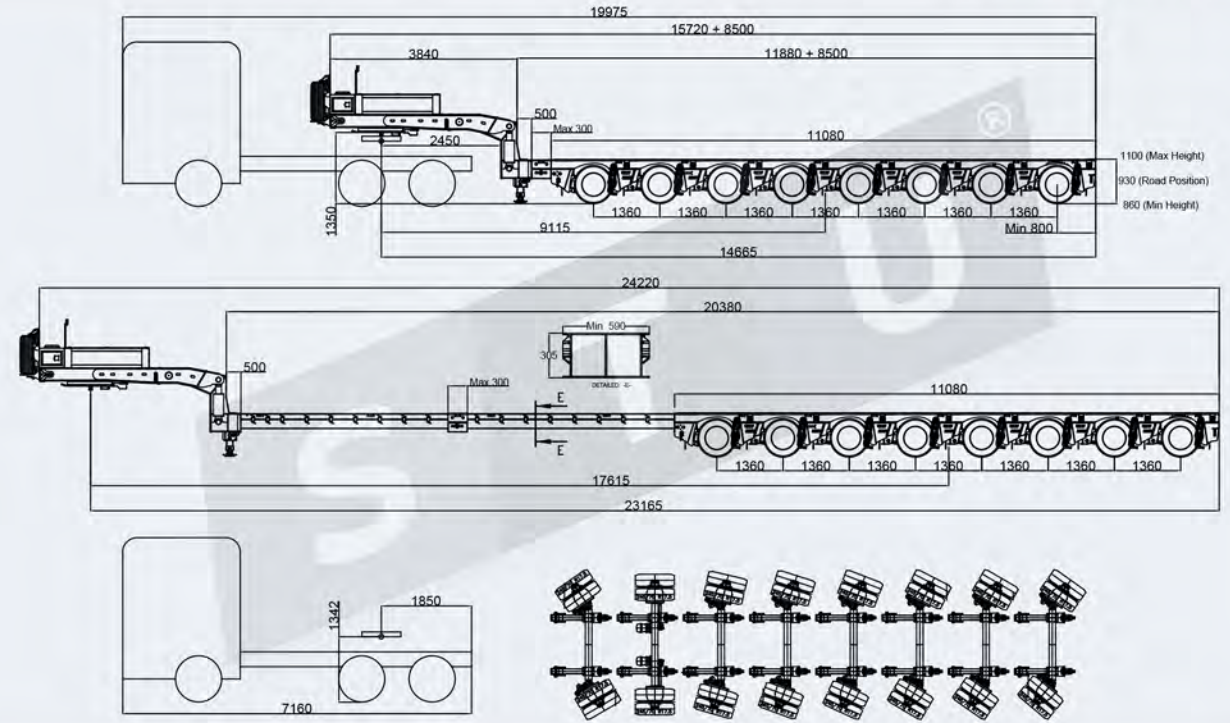
## DETAIL PICTURES



# 8 AXLE EXTENDABLE LOW LOADER



## TECHNICAL DRAWING



## SPECIFICATIONS

**DIMENSIONS:**  
 Maximum Height : 1100 mm  
 Road Position : 930 mm  
 Minimum Height : 860 mm  
 The Length Of The Gooseneck : 3.840 mm  
 Total Platform Width : 2.550 mm + ( Expansion Profiles: 400+400 mm )  
 Kingpin Capacity : 30 Tons  
 Empty Weight : 24Tons ( Around )

**CHASSIS and STRUCTURE:**  
 In accordance with the purpose of usage and it's capacity with safety transports, all trailers design of their constructions with high strenght cross members and productions are with high-tech welding machines. Quality Strenx™ 700E (MC700) steel grade is using on productions. Hydraulic gooseneck will be managed by remote control. All hydraulics has ECU system for management as powered by PLC.

**HYDRAULIC STEERING AXLES:**  
 8 x 12 Tons Capacity TRAX Brand Axles  
 Last 6 Axles Hydraulic Steering Axles with remote control  
 Landing Valves with Air suspension,  
 16 x High Capacity Hydraulic Suspension System

**SUSPENSION SYSTEM** : HYDRAULIC SUSPENSION CYLINDER  
**TIRES AND RIMS** : 245/70 R17.5" size 32+2 units tubeless tires

**ELECTRICAL SYSTEM:**  
 All brand is DASTERI Dynamic Led Stop Lights 24V electrical system  
 4 x RED + WHITE Square Plates Reflectors with lamps  
 2 x On rear + 4 x On Gooseneck Working Night LED Lights  
 Heavy Duty Powerpack  
 On hydraulic management Tele- Radio brand hand terminal  
 On front of gooseneck, Hydraulic System Control and test PLC Screen

**BRAKE EQUIPMENT:**  
 4S-6M Knorr or Wabco Brand EBS system (2 EBS Brain + 1 Modulator) with TRM Module  
 Totally 300 liter Air tanks and 1 filter, Distribution of air to be by plastic hoses 8-12-15 size,

**KING PIN** : JOST Brand DIN 74080 standards  
**PARKING LEGS** : Hydraulic landing gears are telescopic, parallel working, with wide shoes static 50 tons, dynamic 25 tons capacity.

**ACCESSORIES:**  
 Control Panel (Working Lights, Panel Lights, Blitz Lights, Suspension Leveler, Emergency Brake Button)  
 2 x 9 Widening Brackets, 2 x Bike safety bar, 1 x Galvanized Toolbox on Gooseneck with Lock and 3 doors  
 2 x Wheel Wedges, 6 x Working Lights, 14 x Chain Rings on platform + 4 Chain Rings On Gooseneck (16 tons capacity)  
 Tropical Hard Wood on platform ( IREKO or SAPELLE Tree ), Automatic Hydraulic Legs under gooseneck, 1 x Spare Wheel Holders, Aluminium Gooseneck Side Walls, 2 Spare Tyres, 1 x Document Box, Fuse Box for electricity, Aluminium Light Beam and Aluminium small accessories

## DETAIL PICTURES







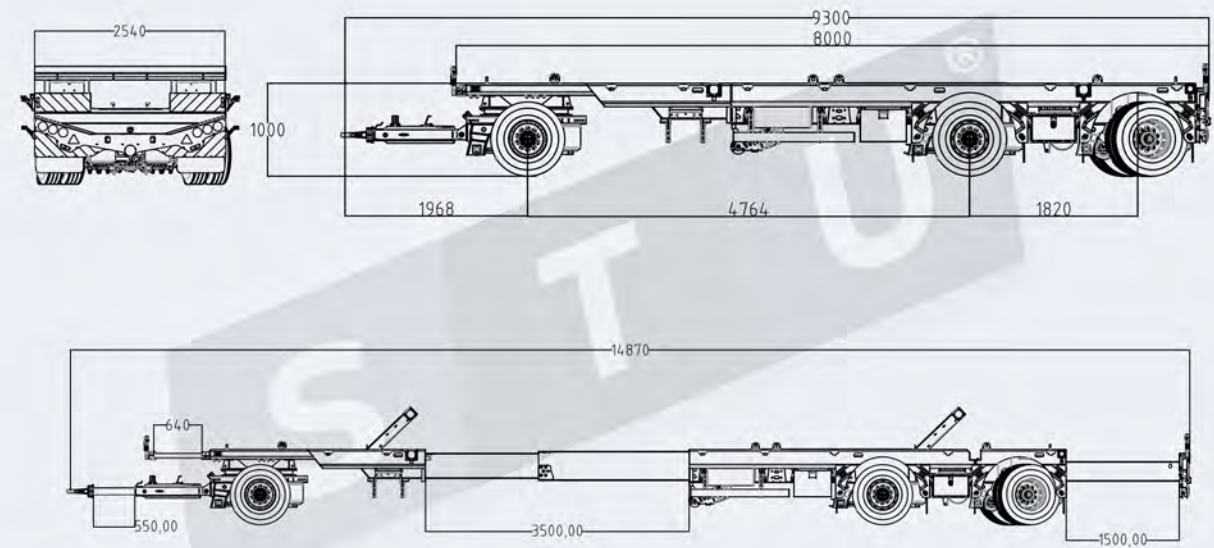
[www.stutrailer.com](http://www.stutrailer.com)

# CUSTOMIZED TRAILERS

# 3 AXLE DRAWBAR TRAILER



## TECHNICAL DRAWING



## SPECIFICATIONS

### GENERAL DETAILS:

- Platform Length** : 8.000 mm + 4000 mm Extension + 1500mm Rear Extension
- Total Axle Weigh** : 36.000 KGS
- Drawbar Length** : ±1.300 mm – 2.200 mm
- Axle Distance** : ±3.840 mm – ±1.810 mm
- Air Suspension** : ±100mm / -125mm
- Total Width** : ± 2.550 mm ( 7 x Left & Right Side extensions +25 cm )

### TECHNICAL CONDITIONS:

**Chassis** : Strengthened "I" section centre members are welded by a submerged welding machine. They are welded between 160/12 mm bottom or top flat steel and 6 mm hub plate.

- Connection Point** : There will be Triangle to Tow Set 100 kN tow eye / 50mm diameter
- Upper Construction** : Floor will be 5 - 6 mm steel chequered plate with wood construction included
- Axes** : First Axle will be rotary table, 3 x 12 Ton axles with air suspensions / Drum brakes, Last Axle self steering
- Tires** : 12 Tires 245/70 R17,5" Pirelli, Starmaxx or Goodyear with their Rims According to the stocks
- Suspensions** : Air Suspension
- Brake System** : Wabco Brake 4s-3m EBS system

**Electrical system** : 6 x DASTERI BRAND Hamburger Led Stop Lights, 2x7 pin sockets and usefull for for 12V - 24V, lights accord to standard in SAE rear stop lamps, side marker lamps, brake safety warning lamps and signal light fitted at the rear. 2 tail & stop combined lamps (red), 2 license lamp (white), 2 Left + 2 Right + 2 Back side work lamps

### Painting:

- First Step** : Sand Blasting all surface,
- First Layer** : Barrier (%80 Zinc-Reach) Coating Double Times - C5 (ISO 12944-2)
- Second Layer** : Epoxy Coating
- Third Layer** : Premium Acrylic Paint
- Fourth Layer** : 2K Super Clear Coating for Protection and Shine (95-110 GU) 60 Degree

### ACCESSORIES & OPTIONS:

3 ROWS Stick Holes on platform, 1 x Steel Tool box, 2 x7 Lashing / Binding Rings, 8 x Laxo Type Container Locks 1x20 "and 2x10", Towing eye diameter 50mm, Mudguards for all tyres, Drawbar set will be 3 levels and there will be 10 cm between levels, Air Brake pipes will be 8-12 mm, At back side of romorque there will be a closed box and inside 2 valves for suspension and air ballons on chassis, With Ø 50 mm Tow Eye, 4 x Corner Warning Signs with white and Red with Lamps

## DETAIL PICTURES



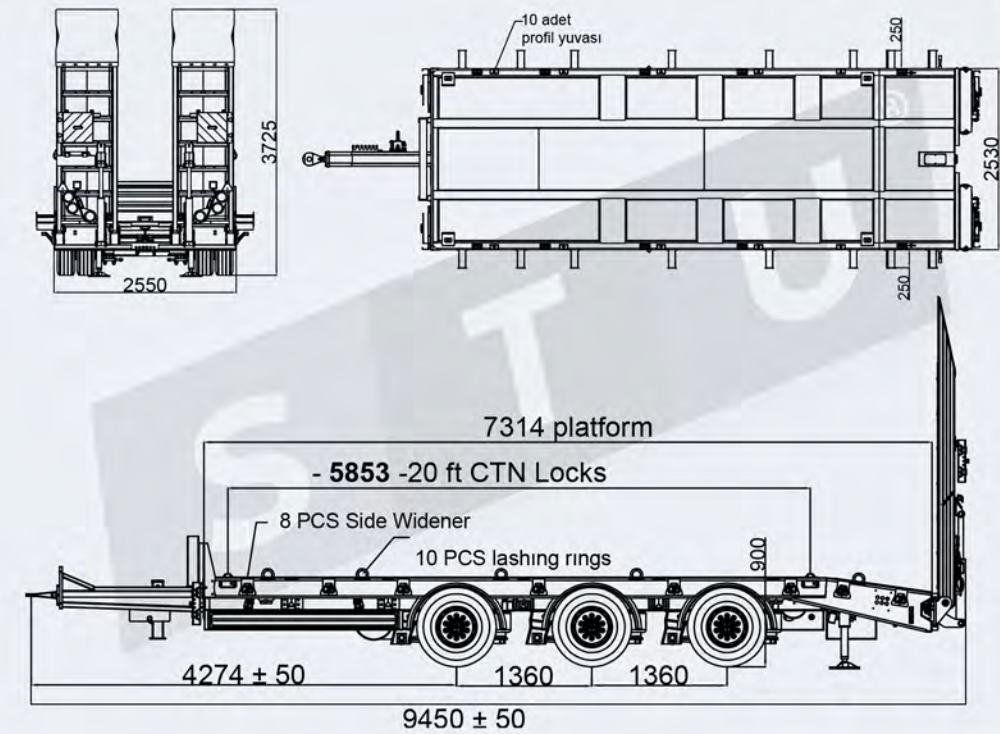
# 3 AXLE REMORQUE TANDEM TRAILER



## DETAIL PICTURES



## TECHNICAL DRAWING



## SPECIFICATIONS

### GENERAL DETAILS:

<b>Platform Length</b>	: 7.300 mm ( 6.250 mm + 1.050 mm )
<b>Total Axle Weigh</b>	: 36.000 KGS
<b>Drawbar Lenght</b>	: ±1.700 mm
<b>Axle Distance</b>	: ±1.360 mm
<b>Total Width</b>	: ± 2.550 mm ( 7 x Left & Right Side extensions +25 cm )
<b>Ramp Width</b>	: ±850 mm ( Right + Left 25 cm Moveable )

**Chassis:** Strengthened "I" section centre members are welded by a submerged welding machine. They are welded between 160/12 mm bottom or top flat steel and 6 mm hub plate.

<b>Connection Point</b>	: There will be Triangle to Tow Set 100 kN tow eye / 50mm diameter
<b>Upper Construction</b>	: Floor will be 5 - 6 mm steel chequered plate with plywood construction included
<b>Axles</b>	: MPD Brand 3 x 12 Ton axles with air suspensions / Drum brakes
<b>Tires</b>	: 12 Tires 245/70 R17,5" Pirelli or Starmaxx
<b>Suspensions</b>	: Air Suspension
<b>Brake System</b>	: Wabco Brake 2s-2m EBS Brake System

**Electrical system :** All system will be SABA BRAND 2x7 pin sockets and usefull for for 12V - 24V, lights accord to standard in SAE rear stop lamps, side marker lamps, brake safety warning lamps and signal light fitted at the rear. 2 tail & stop combined lamps (red), 2 license lamp (white), 2 Left + 2 Right + 2 Back side work lamps, 6 x DASTERI BRAND Hamburger Led Stop Lights, All lamps will be sunked into the chassis,

### Painting:

Before the painting, surface and sand blasted  
 Akzo Nobel International™ high build epoxy filter is used for first painting.  
 Akzo Nobel acrylic is used for the main painting (2 times ).  
 Zinc Rich Coating Before Epoxy coating ( For unti rusting ) ( This application will cover all chassis with zinc )

### ACCESSORIES & NOTES :

ALL CONTROLS WILL BE ON RIGHT SIDE OF TRAILER  
 Hydraulic Ramps with remote and manual control  
 12 pieces Side extension for wider than 2,55 loadings  
 Hydraulic Rear Legs with remote control  
 4 Blitz with Signs ( 42x42cm RED-White Plates )  
 Adjustable Coupling height,  
 12 X 245 70 R17,5 Tyres, Plywood on same with photo  
 No Toolbox on trailer, Bicycle protection both sides  
 12 pieces load fixing holes, 10 pieces chain rings  
 Stainless Steel power pack box, Hydraulic Piston cover

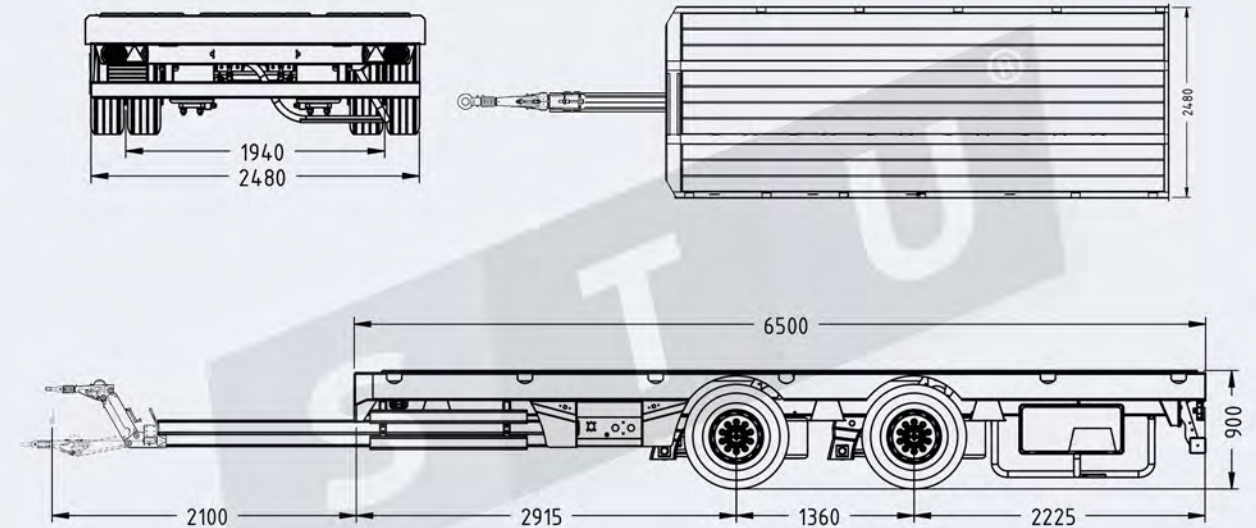
sales@stutrailer.com

www.stutrailer.com

# 2 AXLE REMORQUE TRAILER



## TECHNICAL DRAWING



## SPECIFICATIONS

**Chassis :** Strengthened "I" section centre members are welded by a submerged welding machine. They are welded between 160/12 mm bottom or top flat steel and 6 mm hub plate.

**Connection Point :** There will be Triangle to Tow Set 100 kN tow eye / 50mm diameter

**Upper Construction :** Floor will be 5 - 6 mm steel chequered plate with wood construction included

**Axles :** 2 x 12 tons drum brake axles, with air suspension system

**Tires :** 8 Pcs of Tires 205/65 R17,5" size

**Parking Leg :** In front of the trailer there will be a parking leg which has static 25 ton capacity

**Brake System :** 2S-2M Knorr EBS system

**Electrical system :** All system will be SABA BRAND 2x7 pin sockets and usefull for for 12V - 24V, lights accord to standard in SAE rear stop lamps, side marker lamps, brake safety warning lamps and signal light fitted at the rear.

2 tail & stop combined lamps (red), 2 license lamp (white), 2 Left + 2 Right + 2 Back side work lamps

**Painting:**

**First Step :** Sand Blasting all surface,

**First Layer :** Barrier (%80 Zinc-Reach) Coating Double Times - C5 (ISO 12944-2)

**Second Layer :** Epoxy Coating

**Third Layer :** Premium Acrylic Paint

**Fourth Layer :** 2K Super Clear Coating for Protection and Shine (95-110 GU) 60 Degree

**Accessories :** Lashing Rings, Toolbox, Reflectors, Electric Sockets on front

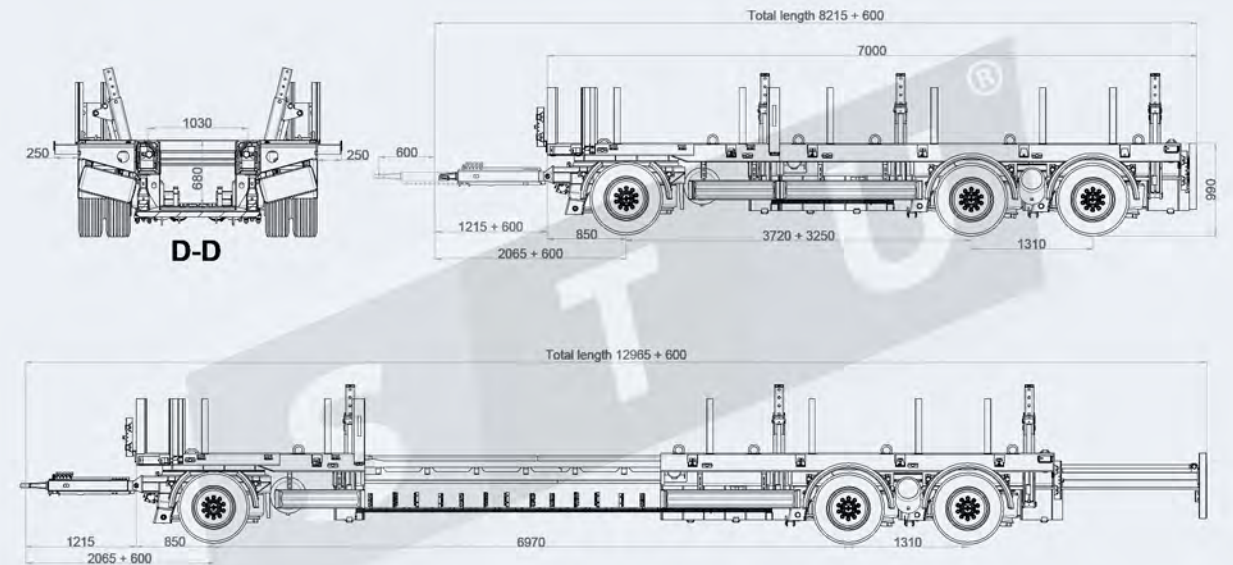
## DETAIL PICTURES



# 3 AXLE EXTENDABLE REMORQUE BOAT TRAILER



## TECHNICAL DRAWING



## SPECIFICATIONS

**Chassis :** In accordance with the purpose of usage and it's capacity with safety transports, all trailers design of their constructions with high strenght cross members and productions are with high-tech welding machines. Quality Strenx™ 700E ( MC700 ) steel grade is using on productions.

**Connection Point :** Cracked Triangle to Tow Set 100 kN tow eye / 57,5mm diameter with another coupling suitable for VBG

**Upper Construction :** Front Floor will be steel chequered plate, rest will be plywood

**Axes :** 3x12 Tons Capacity 17,5" Jumbo Axle, First Axle will be rotary table

**Tires :** 235/65 R17,5" tyres with their rims According to the stocks, Half mudguards for tyres

**Suspensions :** Air Suspension

**Brake System :** Wabco or Knorr Bremse Brake 4S-3M EBS system

### ELECTRICAL SYSTEM

2x7 pin sockets - 24V, lights accord to standard in SAE rear dynamic led stop lamps (Dasteri™ Brand), side marker lamps, brake safety warning lamps and signal light fitted at the rear 2 tail & stop combined lamps (red), 2 turn signal combined lamps (orange), 1 license lamp (white) , HELLA™ Brand 4 working led lights, 2 rear flash lamp.

### Painting:

**First Step** : Sand Blasting all surface,

**First Layer** : Barrier (%80 Zinc-Reach) Coating Double Times - C5 (ISO 12944-2)

**Second Layer** : Epoxy Coating

**Third Layer** : Premium Acrylic Paint

**Fourth Layer** : 2K Super Clear Coating for Protection and Shine (95-110 GU) 60 Degree

### ACCESSORIES & NOTES :

Container Locks, Hydraulic Suporter Arms, Remote control for all hydraulic movements, galvanized parts, Lashing Rings, 40mm Plywood on surface, 12 x Side Stanchions, 4 Red-White Reflectors with turning lights, Extendable Drawbar, Aluminium small parts,

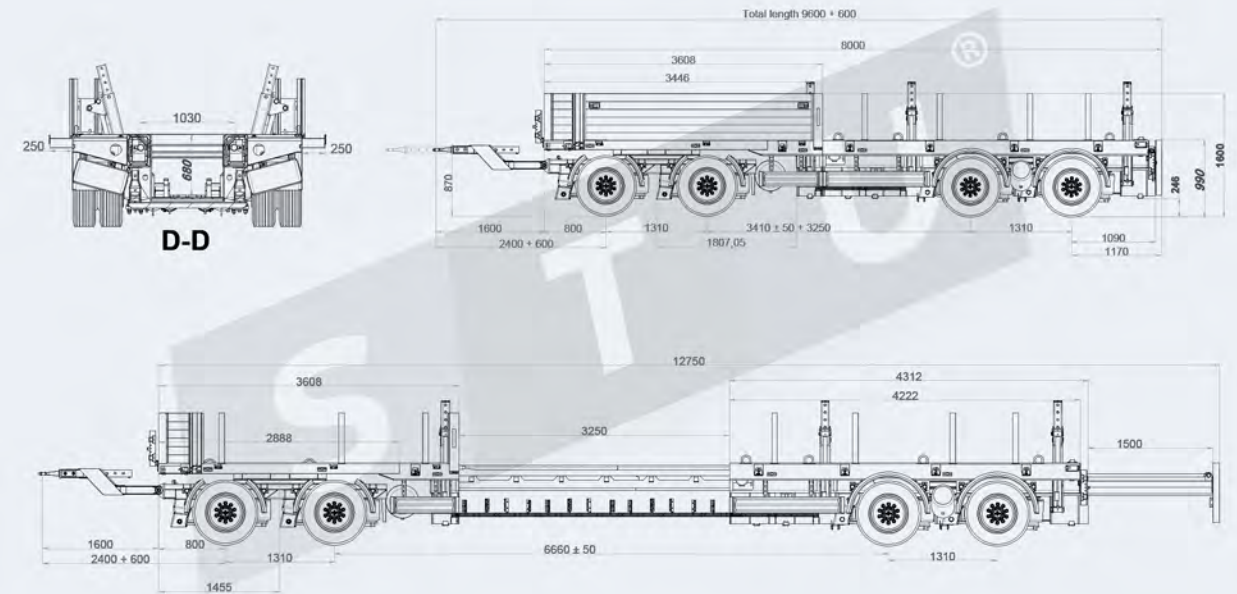
## DETAIL PICTURES



# 4 AXLE EXTENDABLE REMORQUE BOAT TRAILER



## TECHNICAL DRAWING



## SPECIFICATIONS

**Chassis :** In accordance with the purpose of usage and it's capacity with safety transports, all trailers design of their constructions with high strenght cross members and productions are with high-tech welding machines. Quality Strenx™ 700E ( MC700 ) steel grade is using on productions.

**Connection Point :** Cracked Triangle to Tow Set 100 kN tow eye / 57,5mm diameter with another coupling suitable for VBG

**Upper Construction:** Front Floor will be steel chequered plate, rest will be plywood

**Axles :** 4x12 Tons Capacity 17,5" Jumbo Axle, First Axle will be rotary table

**Tires :** 235/65 R17,5" tyres with their rims According to the stocks, Half mudguards for tyres

**Suspensions :** Air Suspension

**Brake System :** Wabco or Knorr Bremse Brake 4S-3M EBS system

### ELECTRICAL SYSTEM

2x7 pin sockets - 24V, lights accord to standard in SAE rear dynamic led stop lamps (Dasteri™ Brand), side marker lamps, brake safety warning lamps and signal light fitted at the rear 2 tail & stop combined lamps (red), 2 turn signal combined lamps (orange), 1 license lamp (white) , HELLA™ Brand 4 working led lights, 2 rear flash lamp.

### Painting:

**First Step :** Sand Blasting all surface,

**First Layer :** Barrier (%80 Zinc-Reach) Coating Double Times - C5 (ISO 12944-2)

**Second Layer :** Epoxy Coating

**Third Layer :** Premium Acrylic Paint

**Fourth Layer :** 2K Super Clear Coating for Protection and Shine (95-110 GU) 60 Degree

### ACCESSORIES & NOTES :

Container Locks, Hydraulic Suporter Arms, Remote control for all hydraulic movements, galvanized parts, Lashing Rings, 40mm Plywood on surface, 12 x Side Stanchions, 4 Red-White Reflectors with turning lights, Extendable Drawbar, Aluminium small parts

## DETAIL PICTURES





**S T U**<sup>®</sup>

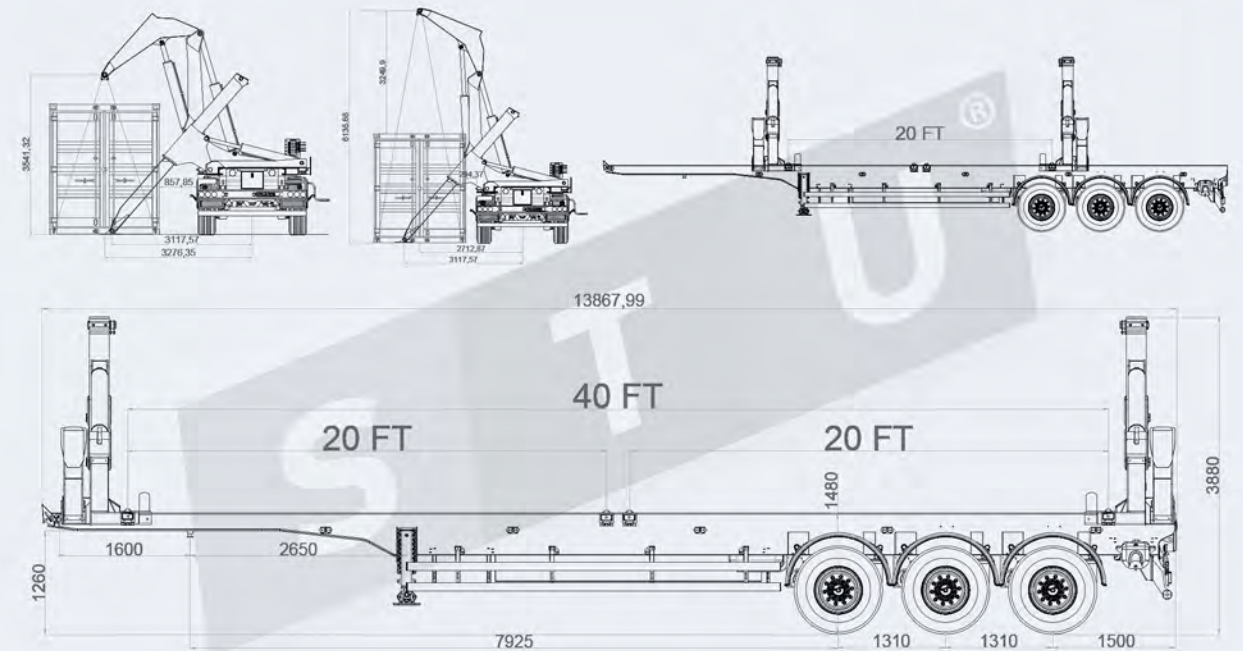
[www.stutrailer.com](http://www.stutrailer.com)

**SIDE LIFTER  
SIDE LOADER  
TRAILER**

# SIDE LIFTER / SIDE LOADER TRAILER



## TECHNICAL DRAWING



## SPECIFICATIONS

**CHASSIS AND STRUCTURE:** In accordance with the purpose of usage and its capacity with safety transports, all trailers design of their constructions with high strength cross members and productions are with high-tech welding machines. Quality Strenx 700MC and high strength steel grade is using on productions. All lifting arms are reinforced with additional side supporters protect from bending and weighing the containers.

**CAPACITY :** 36.000KG to 44.000 KG

**PLATFORM :** With 8 pieces of container locks suitable for 1x40 feet or 1 x 20 feet or 2 x 20 feet

**CRANE SYSTEM :** Both hydraulic lifting arms are working as one team in coordination with each other. Lifting Arms are from S690QL Steel Grade as only one extendable cranes productions material. Suitable for lifting up to 36 tonnes and drivers may use Radio-controlled remote-control system and manual system together.

**CRANE CONTROL :** PROPORTIONAL CONTROL VALVES (Ireland) (Two Pieces)

**PUMP :** 400 Bar 170 Lt

**HOSES :** R2-AT Hoses

**LIFTS :** Double-acting hydraulic cylinders are honed from high strength materials, (700MC in quality) will be manufactured. Precision-machined rods, hard chrome plated high-strength material (O - C40E 1.1186 quality) are manufactured. Hydraulic system including protection system in their own process like when the side loader lifting and there could be any relief of hydraulic hoses cause of pressure. With this system the load/container will not drop down fastly to ground or to any of people under the container.

**ENGINE ( Optional ):** The heart of machine and we use 4 Cylinder New engines for hydraulic power creation. In complete system oil tank, hydraulic tank is including.

**AXLES :** 3x9 Ton Disc Axle OR 3x12 Tons Drum Brake with air suspension

**SUSPENSIONS :** It is supplied with 6 pieces of air suspension 1st axle lifting.

**BRAKE SYSTEM :** WABCO brand 2S-2M EBS braking system,

**ELECTRICAL SYSTEM:**

Hella or Aspöck or Dasteri LED Lights, 2x7 pin sockets - 24V, lights accord to standard in SAE rear led stop lamps, side marker lamps, brake safety warning lamps and signal light fitted at the rear 2 tail & stop combined lamps (red), 2 turn signal combined lamps (orange), 1 license lamp (white), 4 working led lights, 2 rear flash lamp.

**TIRES :** 6 Pieces 385/65R/22,5

**RIMS :** 6 Pieces 22.5 (Jantsa-Jantas Brand)

**KING PIN :** DIN 74080 standards 2" king pin detachable from below made by SAE standards 8 bolt type. With E certificate JOST brand

**LANDING GEAR :** Front Jack feet are telescopic, parallel working, double speed jointed with wide shoes static 50 tons, dynamic 25 tons capacity

**PAINTING:**

**First Step :** Sand Blasting all surface,

**First Layer :** Barrier™ 80 Jotun (%80 Zinc-Reach) Coating Double Times - C5 (ISO 12944-2)

**Second Layer :** Jotun™ Epoxy Coating

**Third Layer :** Jotun™ Brand Premium Acrylic Paint

**Fourth Layer :** 2K Super Clear Coating for Protection and Shine (95-110 GU)

Color of the trailer will be RAL ..... (Depand on Customer Choice)

**ACCESSORIES & OPTIONS :**

Water Tank, Spare tyre carrier, Wheel leaning mounting, Fire extinguisher box, Preserving cabinet, Tool Box, Mudguards, Remote Control, RUD Brand Loading Hooks, Remote Control for landing gears and arms, Wabco smart board

## DETAIL PICTURES







[www.stutrailer.com](http://www.stutrailer.com)

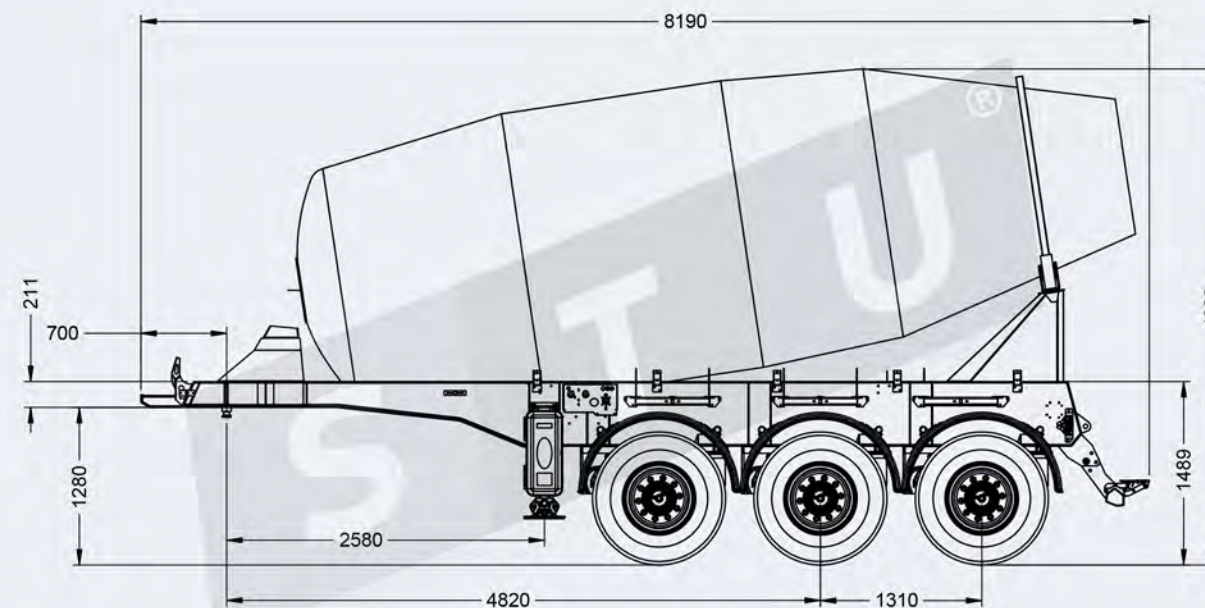
# CONCRETE MIXER TRAILER



# 12,7M3 / 14,7M3 CONCRETE MIXER TRAILER



TECHNICAL DRAWING



## SPECIFICATIONS

**CHASSIS** : Strengthened "I" section centre members are welded by a submerged welding machine. They are welded between 120/12 mm bottom or top flat steel and 5 mm hub plate.

**Axes** : SAF Brand - 3x9 Tonnes axles with air suspensions / Disc brakes,  
**Suspensions** : Air Suspension System with pillows ( For EU Market )  
**Brake System** : 2S-2M Wabco or Knorr Brake EBS system  
**Brake Chambers** : 1 Axles with T 24/30 emergency brake chamber, 2 axles with 30/30 service brake chambers

**Electrical system** : LED Lights are available 2x7 pin sockets - 24V, lights accord to standard in SAE rear stop lamps, side marker lamps, brake safety warning lamps and signal light fitted at the rear. 2 tail & stop combined lamps (red) , 2 turn signal combined lamps (orange), 1 license lamp (white), 2 Hella Brand Night Working Lights

**Tires** : 6 Pieces 385/65 R22,5" Goodyear, Pirelli, Lassa, Starmaxx brands are available  
**Rims** : 6 Pieces 22,5" Jantas or Jantsa brand  
**King Pin** : 2" king pin detachable from below made by SAE standards E certificate.

**Accessories:**  
 6 x Short mudguards  
 1 x Plastic tool box with standard wheel tools (at the left side)  
 1 x Closed type metal box for one unit spare tire carrier  
 2 x 3M reflector side and rear  
 6 Cylinder Deutz Brand Engine

**DRUM TECHNICAL DETAILS:**  
**Nominal capacity** : 12,7 m3 / 14,7 m3  
**Drum & Blades** : Drum walls made in 30mnb5 anti---wear resistant steel --- (4mm thickness)  
 Mixing blades made in 30mnb5 anti---wear resistant steel --- (4mm thickness)

**Drum Turning Controls** : Controls at back side with manual or electrical control box or Hydrostatic transmission  
**Hydraulic Pump** : (110 cm3/rev) variable displacement hydraulic pump with 25 cm3/rev  
**Hydraulic Motor** : (110 cm3/rev) fixed displacement hydraulic motor  
**Reducer** : 2.91 (72.490Nm) double stage planetary gearbox REDUCTOR  
**Oil Cooler** : AKG Brand with 12 lt oil tank, thermostat control and absorption filter  
**Water system** : 650 lt steel pressurized water tank (Galvanization is optional)

**Standard Features:**  
 180° swivelling discharging chute with support and hydraulic jack for lifting  
 2 Polystone lightweight extension chutes with holders  
 Anti-wear resistant plate on discharging hopper  
 2 x Inspection manhole and Inspection ladder  
 Right and Left sides have water valve, There will be rubber on the cone  
 60 Lt Additive tank

**Painting:**  
**First Step** : Sand Blasting all surface,  
**First Layer** : Barrier™ 80 Jotun (%80 Zinc-Reach) Coating Double Times - C5 (ISO 12944-2)  
**Second Layer** : Jotun™ Epoxy Coating  
**Third Layer** : Jotun™ Brand Premium Acrylic Paint  
**Fourth Layer** : 2K Super Clear Coating for Protection and Shine (95-110 GU)  
 Color of the trailer will be RAL ..... ( Depend on Customer Choice )

## DETAIL PICTURES



sales@stutrailer.com



[www.stustrailer.com](http://www.stustrailer.com)

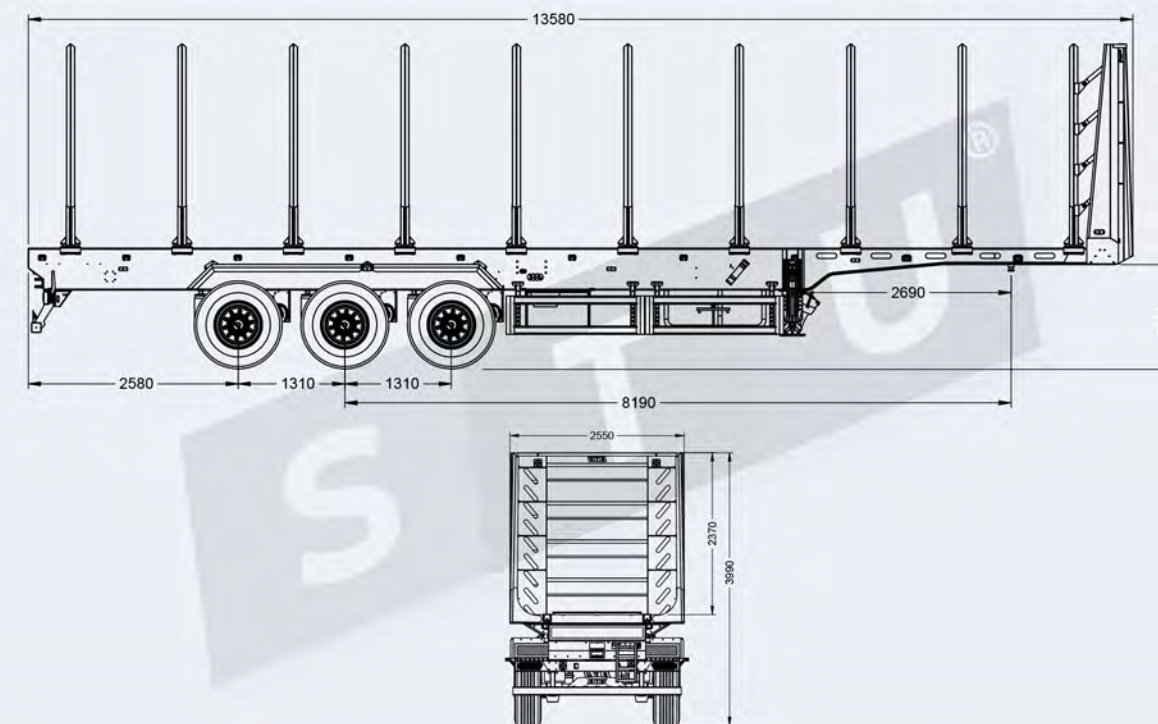
# TIMBER LOG TRAILER



# TIMBER / LOG TRAILER



## TECHNICAL DRAWING



## SPECIFICATIONS

**Chassis :** In accordance to the purpose and capacity overload for timbers and logs and stanchions will be enough strong capacity for loads. Made with SSAB Brand STRENX 700E STEEL steel grade.

**Upper Construction :** 6-10 Units stanchions produce with STRENX 700E STEEL grade. Side supports / stanchions will be mounted on the trailer according to desire. Platform produced with 3/4mm chequered plate,

**Axles :** 3X9 Tons Capacity or 3x12 Tons with air suspensions. First Axle Lifiable Axle

**Brake System :** 2S-2M Knorr Bremse Brand EBS braking system

**Electrical system :** Dasteri Brand Dynamic Led 2x7 pin sockets - 24V, lights accord to standard in rear stop lamps, side marker lamps, brake safety warning lamps and signal light fitted at the rear. 2 tail & stop combined lamps (red) / 2 turn signal combined lamps (orange). 1 license lamp ( white )

**Tires :** 6 Pieces 385/65 R 22,5

**Rims :** 6 Pieces 22.5" (Jantsa-Jantas Brand)

**King Pin :** DIN 74080 standards 2" king pin detachable with SAE standards / EU Norms including 8 bolt type.

**Landing Gear :** Landing Gears Front Jack feet are telescopic, parallel working, double speed jointed with wide shoes static 50 tons, dynamic 25 tons capacity.

### Painting:

**First Step :** Sand Blasting all surface,

**First Layer :** Barrier™ 80 Jotun (%80 Zinc-Reach) Coating Double Times - C5 (ISO 12944-2)

**Second Layer :** Jotun™ Epoxy Coating

**Third Layer :** Jotun™ Brand Premium Acrylic Paint

**Fourth Layer :** 2K Super Clear Coating for Protection and Shine (95-110 GU)

Color of the trailer will be RAL ..... ( Depend on Customer Choice for second one )

### Accessories and Options :

- 6 x Plastic mudguards, Side reflectors side and rear
- 1 x Plastic tool box with standard wheel tools (at the left side of the tank)
- 1 x 6 kg fire extinguisher box (mounted left side of the trailer)
- 1 x Spare Tyre Carrier Basket, Side bicycle protection profiles
- 4 x Working Lamps at rear and on front wall

## DETAIL PICTURES



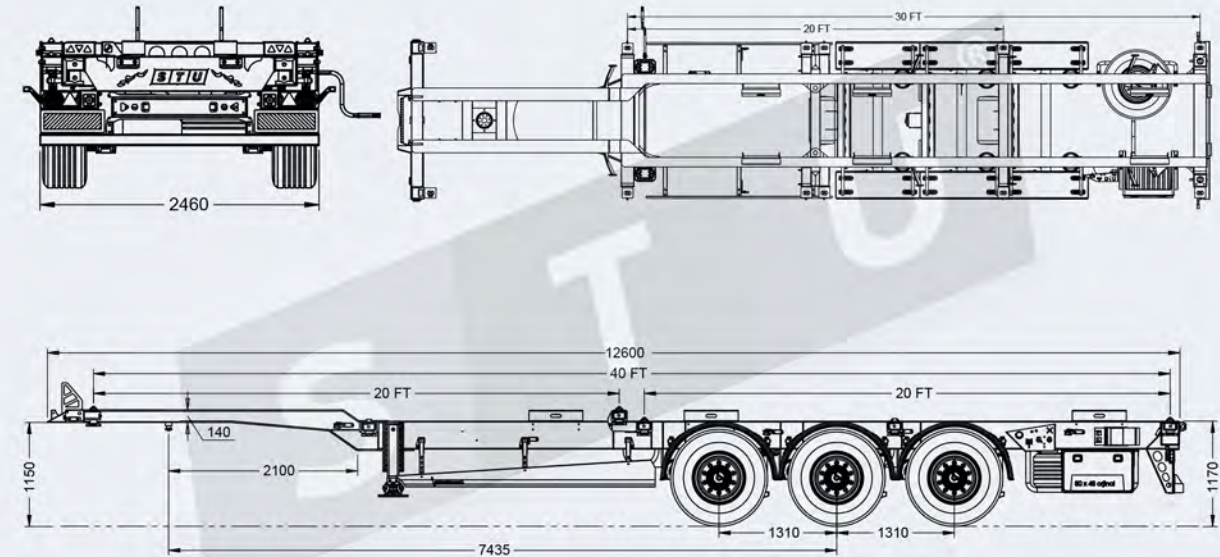


[www.stutrailer.com](http://www.stutrailer.com)

# CONTAINER TRAILER



# 40 FT CONTAINER TRAILER



## SPECIFICATIONS

**CHASSIS and STRUCTURE :** In accordance with the international transportation standards and prepared as having "I" section with high resistance to allow to obtain the highest efficiency under all road and weather conditions, is manufactured with automatic tig welding machines from MC700 High Quality Sheet plates.

**Axles** : 3x9 tonnes capacity SAF Brand Disc Axle, 6 pcs Air balloons  
**Suspensions** : It is supplied with air suspension 6 pieces Z shears, 6 pieces bellows and 6 pieces shock absorber.

**Brake System** : 2S-2M Knorr or Wabco brand EBS braking system  
**Brake Chambers** : 1 Axles with T 30/30 emergency brake chamber, 2 Axle 24/30 Service Brake Chamber

**Electrical system:**  
 LED 2x7 pin sockets- 24V, lights accord to standard in rear stop lamps, side marker lamps, brake safety warning lamps and signal light fitted at the rear. Side Position Led Zone Lamps, 2 tail & stop combined lamps (red), 2 turn signal combined lamps (orange), 1 license lamp (white)

**Tires** : 6 Pieces 385/65 R 22,5 From Stocks  
**Rims** : 6 Pieces 22.5" Jantsa or Jantas Brand  
**King Pin** : OMS BRAND DIN 74080 standards 2" king pin detachable from below made with 8 bolt type.

**Landing Gear :** OMS BRAND Landing Gears Front Jack feet are telescopic, parallel working, double speed jointed with wide shoes static 50 tons, dynamic 25 tons capacity.

**Painting:**  
 Sand Blasting all surface, First Layer %80 Zinc-Reach Coating Double Times (Powerful Cover from Rust)  
 Second Layer Epoxy Coating, Third Layer with Jotun Brand Premium Acrylic Paint, Fourth Layer 2K Super Clear Coating for protection, Color of the trailer will be RAL ..... ( Depend on Customer Choice )

**ACCESORIES:**  
 Multi-Piece Plastic Fenders That Covers Trailing Axle Tires  
 Control Panel (Mob, Air Clock, Manometer For Air)  
 1 x Plastic Toolbox, 2x Anti-slip Mudguard on back axles  
 2x20ft or 1x40 ft Container Locks

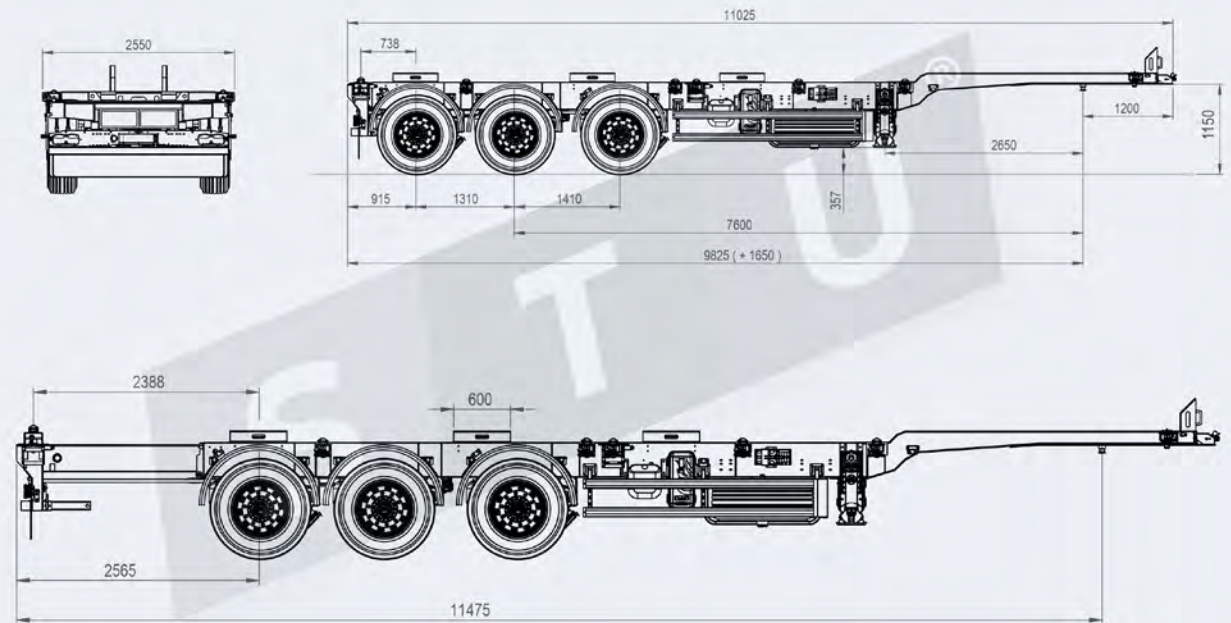
## DETAIL PICTURES



# 45 FT EXTENDABLE CONTAINER TRAILER



## TECHNICAL DRAWING



## SPECIFICATIONS

**CHASSIS and STRUCTURE :** The extendable chassis designed in accordance with the international transportation standards and prepared as having "I" section with high resistance to allow to obtain the highest efficiency under all road and weather conditions, is manufactured with automatic tig welding machines from MC700 High Quality Sheet plates.

**Axles :** 3x9 tonnes capacity SAF Brand Disc Axle, 6 pcs Air balloons

**Suspensions :** It is supplied with air suspension 6 pieces Z shears, 6 pieces bellows and 6 pieces shock absorber.

**Brake System :** 2S-2M Knorr or Wabco brand EBS braking system

**Brake Chambers :** 1 Axles with T 30/30 emergency brake chamber, 2 Axle 24/30 Service Brake Chamber

**Electrical system:**

LED 2x7 pin sockets- 24V, lights accord to standard in rear stop lamps, side marker lamps, brake safety warning lamps and signal light fitted at the rear. Side Position Led Zone Lamps, 2 tail & stop combined lamps (red), 2 turn signal combined lamps (orange), 1 license lamp (white)

**Tires :** 6 Pieces 385/65 R 22,5 From Stocks

**Rims :** 6 Pieces 22.5" Jantsa or Jantas Brand

**King Pin :** OMS BRAND DIN 74080 standards 2" king pin detachable from below made with 8 bolt type.

**Landing Gear :** OMS BRAND Landing Gears Front Jack feet are telescopic, parallel working, double speed jointed with wide shoes static 50 tons, dynamic 25 tons capacity.

**Painting:**

Sand Blasting all surface, First Layer %80 Zinc-Reach Coating Double Times (Powerful Cover from Rust) Second Layer Epoxy Coating, Third Layer with Jotun Brand Premium Acrylic Paint, Fourth Layer 2K Super Clear Coating for protection, Color of the trailer will be RAL ..... ( Depend on Customer Choice )

**ACCESORIES:**

Multi-Piece Plastic Fenders That Covers Trailing Axle Tires  
Control Panel (Mob, Air Clock, Manometer For Air)  
1 x Plastic Toolbox, 2x Anti-slip Mudguard on back axles  
1x30 ft or 2x20 ft or 1x40 ft or 1x45 ft Container Locks

## DETAIL PICTURES





**S T U**<sup>®</sup>

[www.stutrailer.com](http://www.stutrailer.com)

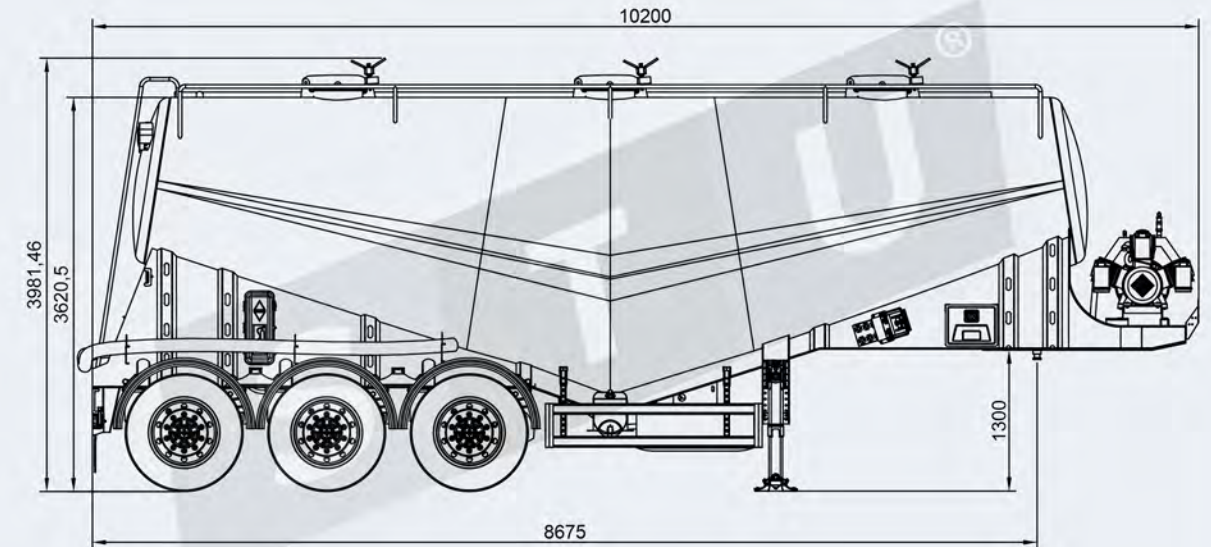
# CEMENT SILO TRAILER



# 28 - 32 M<sup>3</sup> CEMENT SILO TRAILER



TECHNICAL DRAWING



## SPECIFICATIONS

**CHASSIS AND STRUCTURE:** Tank is "V" shape and discharging is from bottom. Tank is built ST52 Quality Steel with thickness of 4mm . Working pressure 2 bar and test pressure 2,6 bar. 2 unit air pressure manometer. 4 " discharging system and 6 mt special alloy discharge hose and 1 unit regulated to 2.5 bar safety valve nad Upper catwalk and Access ladder is set to trailer.

**Air Compressor :** 3 Headed electrical compressor (Turkish Brand-Bekomsan).

**Axles :** 3 axles with 12 Tons capacity and brake drum are used  
There are brake shoes and heavy brake levers suitable for TSE norms

**Suspension :** Air suspension with scissors Z, capacity 12 ton,

**Tires :** 6 Pieces 385/65 R 22,5 From Stocks

**Brake Equipment :** Wabco or Knorr brand, EBS is used according to the standards EEC 97/12, double-circuit pneumatic, 4S 2M, EBS, Dual circuit brake hardware, 24" Service brake bellows fitted to axle 3 24x30" Emergency brake fitted to axle 1 and axle 2 Load balancing distribution valve, Automatic brake adjusters

**Electrical system :** 2x7 pin sockets - 24V, lights accord to standard in SAE rear stop lamps, side marker lamps, brake safety warning lamps and signal light fitted at the rear  
2 tail & stop combined lamps (red)  
4 turn signal combined lamps (orange)  
1 license lamp (white)

**King Pin :** OMS (Certificated Turkish Brand) Jost Type Steel king-pin which is 2" or 3,5" according to DIN 74080 standards and 3½" 42 CRMO4 according to DIN 74083 standards  
Kin pin Height will be arrange according to your truck like 6x4 or 4x2 etc.

**Landing Gear :** OMS BRAND Landing Gears Front Jack feet are telescopic, parallel working, double speed jointed with wide shoes static 50 tons, dynamic 25 tons capacity.

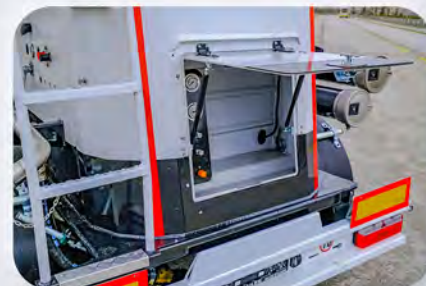
### Painting:

Sand Blasting all surface, First Layer %80 Zinc-Reach Coating Double Times (Powerful Cover from Rust)  
Second Layer Epoxy Coating, Third Layer with Jotun Brand Premium Acrylic Paint, Fourth Layer 2K Super Clear Coating for protection, Color of the trailer will be RAL ..... ( Depend on Customer Choice )

### STANDARD ACCESSORIES:

Manhole Cover – 2 pcs (diameter-420 mm.)  
Water Retainer Mat, Spare tyre carrier 1 pcs  
Wheel leaning mounting, Preserving cabinet.  
Tool Box, Access Ladder  
Cat Walking manually operated  
Mudguards, Hose Carrying Pipe

## DETAIL PICTURES



The logo consists of three colored squares: a red square with a white letter 'S', a black square with a white letter 'T', and a blue square with a white letter 'U'. A registered trademark symbol (®) is located to the upper right of the 'U'.

[www.stutrailer.com](http://www.stutrailer.com)

A large white tanker trailer is shown from a side-rear perspective. The trailer has a cylindrical tank and a large circular hatch at the rear. It is mounted on a multi-axle chassis with several wheels. The background is a dark, blue-tinted sky with some streetlights and a sign for an airport (Havalimani) visible on the left. Two glowing lines, one red and one blue, cross the trailer diagonally. The text 'TANKER TRAILER' is overlaid in large white letters on the right side of the trailer.

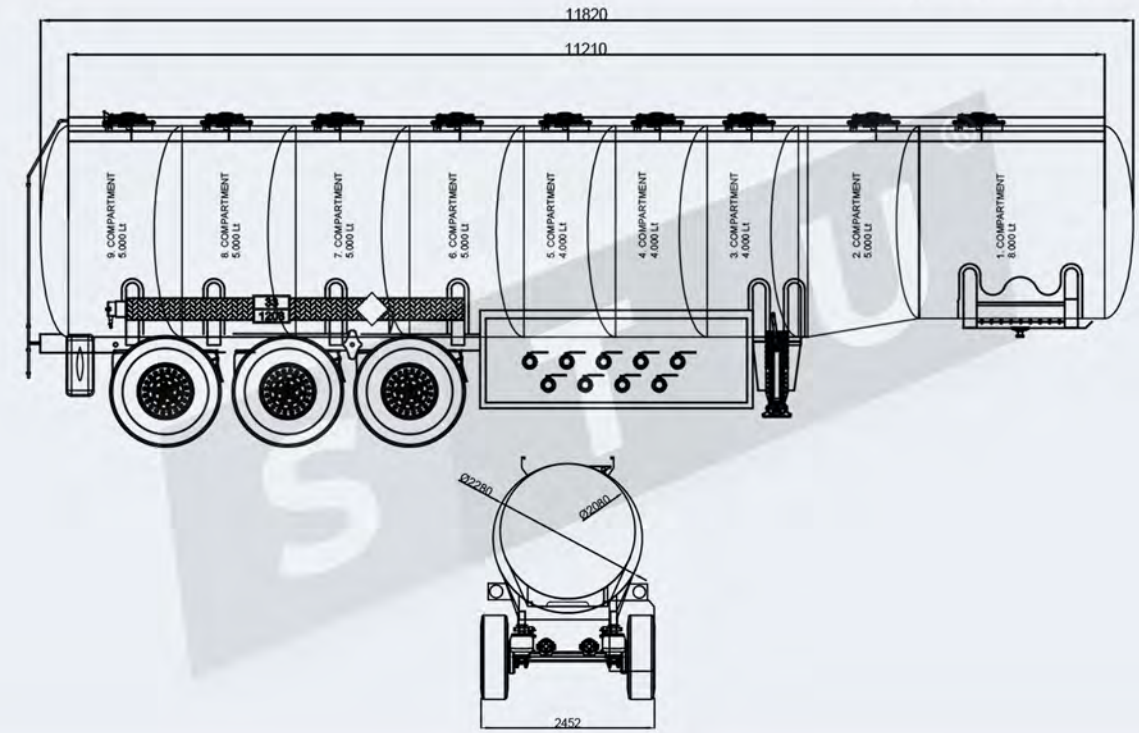
**TANKER  
TRAILER**

STU

# 30.000 - 55.000 LITER TANKER TRAILER



## TECHNICAL DRAWING



## SPECIFICATIONS

**Chassis and Structure:** 1 Compartment – 2 Manhole For Loading 1 Unloading Pipe at Back bottom side Tankers can be monoblock ( full chassis ) or half chassis chassis like the picture 400 mm 6252 Steel Quality 120x12xST52 T Profiles is used on tanker chassis

**Axles:** Axle configuration consist of 3 x 9 Tonnes SAF Brand Disc  
Air spring system for suspension  
Timken Bearing for Wheel hubs  
First axle liftable

**Brake Equipment:** WABCO 2S-2M EBS SYSTEM

**Electrical system:** Sa-Ba or Sertplas Brand  
2x7 pin sockets - 24V, lights according to SAE standards  
Rear stop lamps, side marker lamps, brake safety warning lamps and signal light fitted, 2 tail & stop combined lamps (red)  
2 turn signal combined lamps (orange)  
1 license plate lamp (white)

**Tires :** 385/65 R22,5 size 6 pcs of tires brand Petlas, LAssa, Bridgestone, Goodyear  
**Rims :** 6 Pieces 22.5 JANTAS or JANTSA brand

**King Pin :** OMS Brand Jost Type Steel king-pin which is 2 or 3,5" suitable for 6x4 tractor unit according to DIN 74080 standards and 3½" 42 CRMO4 according to DIN 74083 standards are used.

**Parking Legs:**  
OMS BRAND Certificated Turkish brands Jost Type two speed  
Telescopic, mechanical conveyor gear

**Dynamic Lift Capacity :** 25 Tones  
**Static Lift Capacity :** 50 Tones  
**Low Gear Position :** 0.98 mm / Rev

**Accessories:**  
1 non-slip floor walking platform  
1 ladder (climbed from behind)  
Roller or basket spare tire conveyor  
Aluminum bike impact absorber  
Plastic Wheel chock

## DETAIL PICTURES



STU Trailers® Company, LIMITED Is manufacturer of different kinds of lowbed and low loader / lowboy trailers in Turkey as an independent family company. We are experienced in production of lowloaders more than 15 years and exporting more than 35 countries in different size of lowloaders for heavy haulage / special transportation sectors. Regarding our customers usage habits and experience we always focus to make them satisfy and we desing our lowloaders on this aim. In different variants of load transportations as tall, wide, long and heavy we have solutions for transportation companies.

STU Trailers Co. started in a garage and firstly in the local market started to share it's services on second hand and new productions. Year by years by the demand of Export markets continued to give services to EU Countries, African Countries, Far East and South America Countries markets as keeping our traditional quality on our production and marketing steps. Our R&D center is always following new technologies in different diciplines how we adapt on our solutions to heavy transport and special project loads and defence sectors. As the experts for unique requirements, we are constantly expanding our portfolio of products, services, working intensively in the areas of product development and optimisation due to changing new production technologies progress and situations of new different size of loads. Today, our vehicles can be found on more than 35 countries in the world. Our COC certificates facilitated fast registration with minimal administrative effort. We hope you could be facinated to discover our comprehensive and versatile product portfolio!

We offer transport solutions for sectors; heavy transport, construction, agriculture, boat transport, forestry, wood, vertical transport, finished parts transport, wind power and energy and as well as public projects in the defence and aircraft industry with our designs on your special projects. Our customers value our reliability and flexibility in offering tailored transport solutions even in the face of difficult challenges. Indeed, We know our customers and their experiences on heavy transportations in diffucult challenges, so we always try to offer our vehicles projects excel with their technical quality and sustainable production methods.


In all photos of lowbed and lowladers produced for related customers's needs and orders. As you can reliese our tecnical team is focusing and aim to make happy owner of lowloaders and always keep in touch with users / drivers for their different habits for their technical needs. Always habits, road and heavy transport conditions are not same in whole world so, we try to offer the best solution that we can effort for their safety, long-life lowbeds. On lowlaoder hydraulic, electric and other components are completely designing by our experienced engineers and based on heavy haulages projects which is sharing by our valuable customers. Our designs are testing on analysis programs and before production we are able to understand how the loads will effect on new lowloader or lowbed steel construction after loaded on the roads and all designs are based on our experiences.

For correct maching of steel parts laser cut is indispensible to prepare steel construction for production of lowbeds / lowloaders projects. All process of welding has it's own steel grade and welding wires peculiar to its steel grade. Meanwhile using non standard equipments for cutting, curving, bending, welding steps which designed by our valuable engineers. STU Trailers®keep it's rights to change drawing, designs, prices and other components which are exist on the web page and in their offers. All rights reserved. Used under license and no one can copy, share with 3rd parties with or without STU Trailers permissions.

# About Us




## Contact

 Fevzi Cakmak Mahallesi, 10664. Sokak,  
No:30-1 Karatay / Konya / TURKEY

 +90 541 336 63 77  
+90 555 057 72 77

 stustrailers@gmail.com  
sales@stustrailer.com

 www.stustrailer.com / www.stustrailers.com

   /STUTrailers